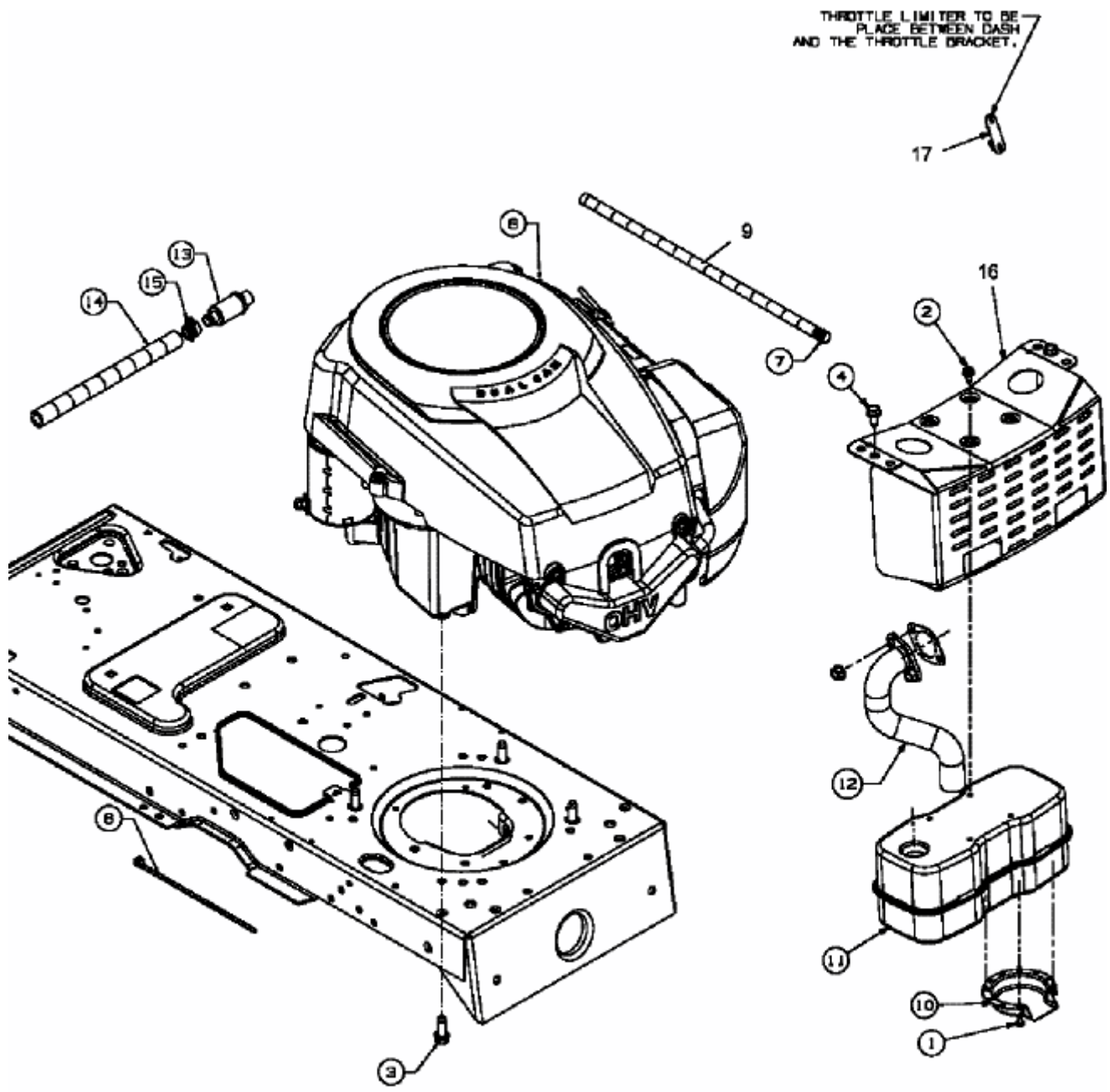


THROTTLE LIMITER TO BE  
PLACE BETWEEN DASH  
AND THE THROTTLE BRACKET.



E3-03406A-01