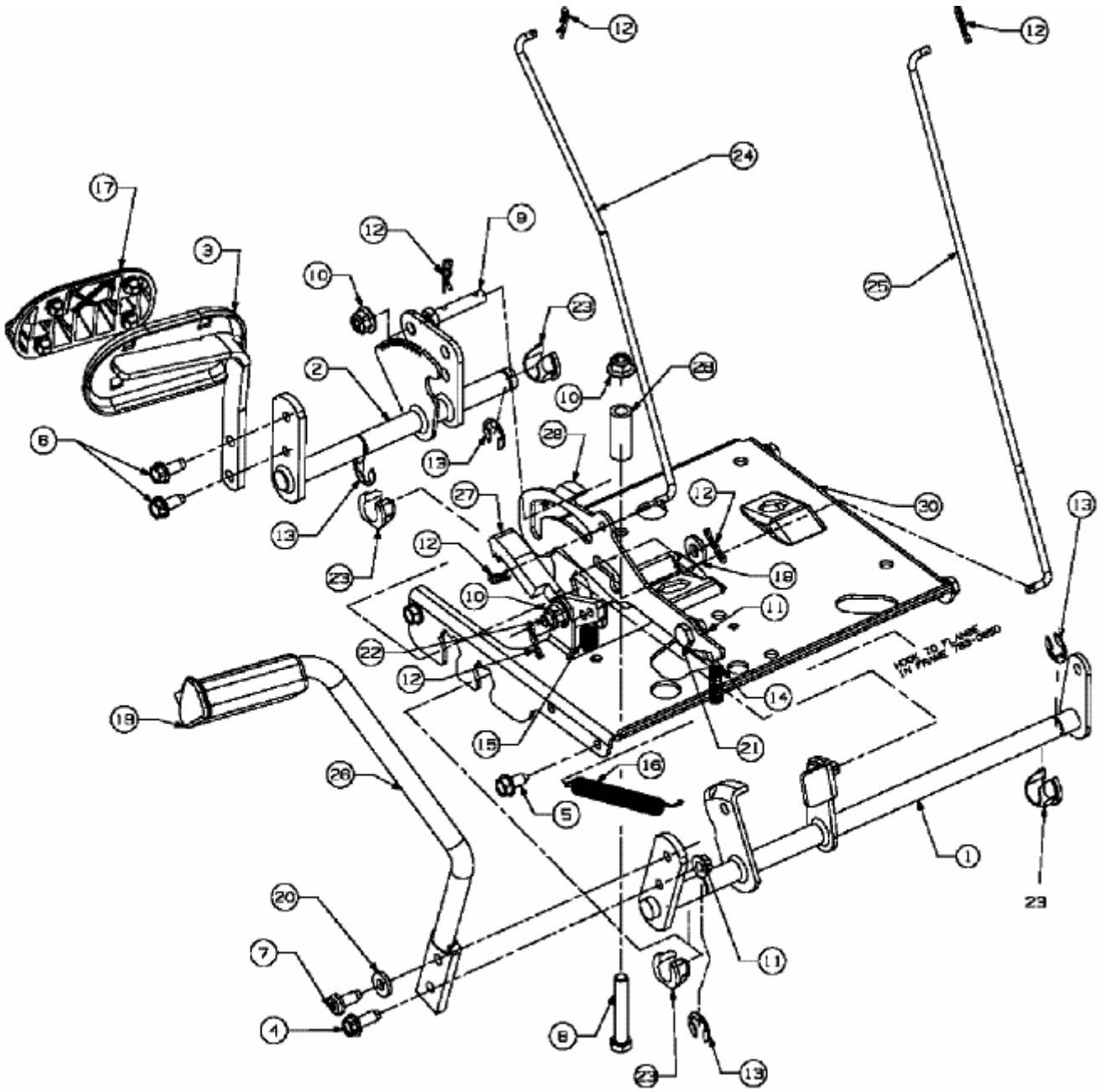


705 > 13CV509E611 (2007) > PEDALE



E3-02030B-01