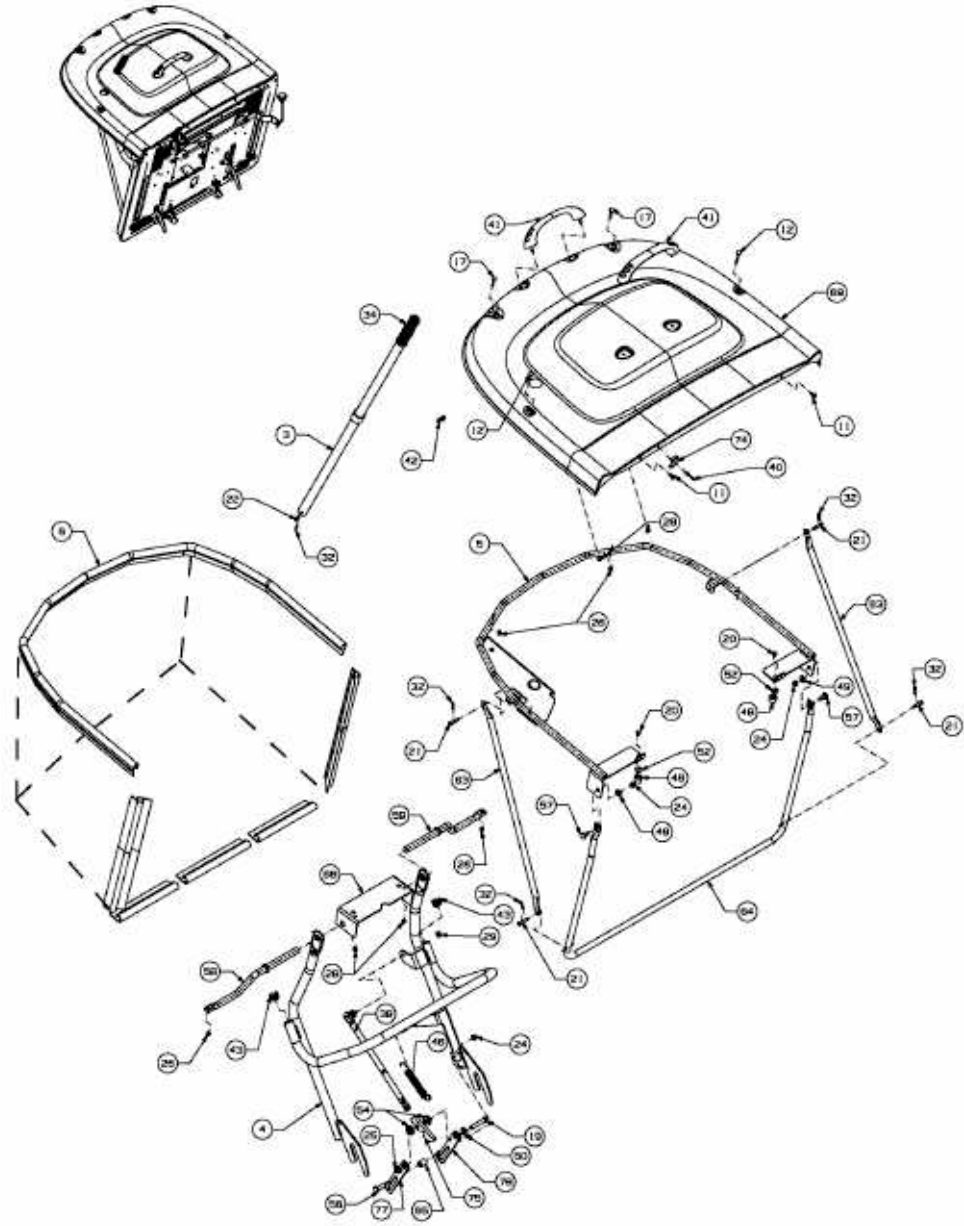


YM 22/105 > 13CU514N643 (2011) > GRASFANGVORRICHTUNG



E3-06673A-01