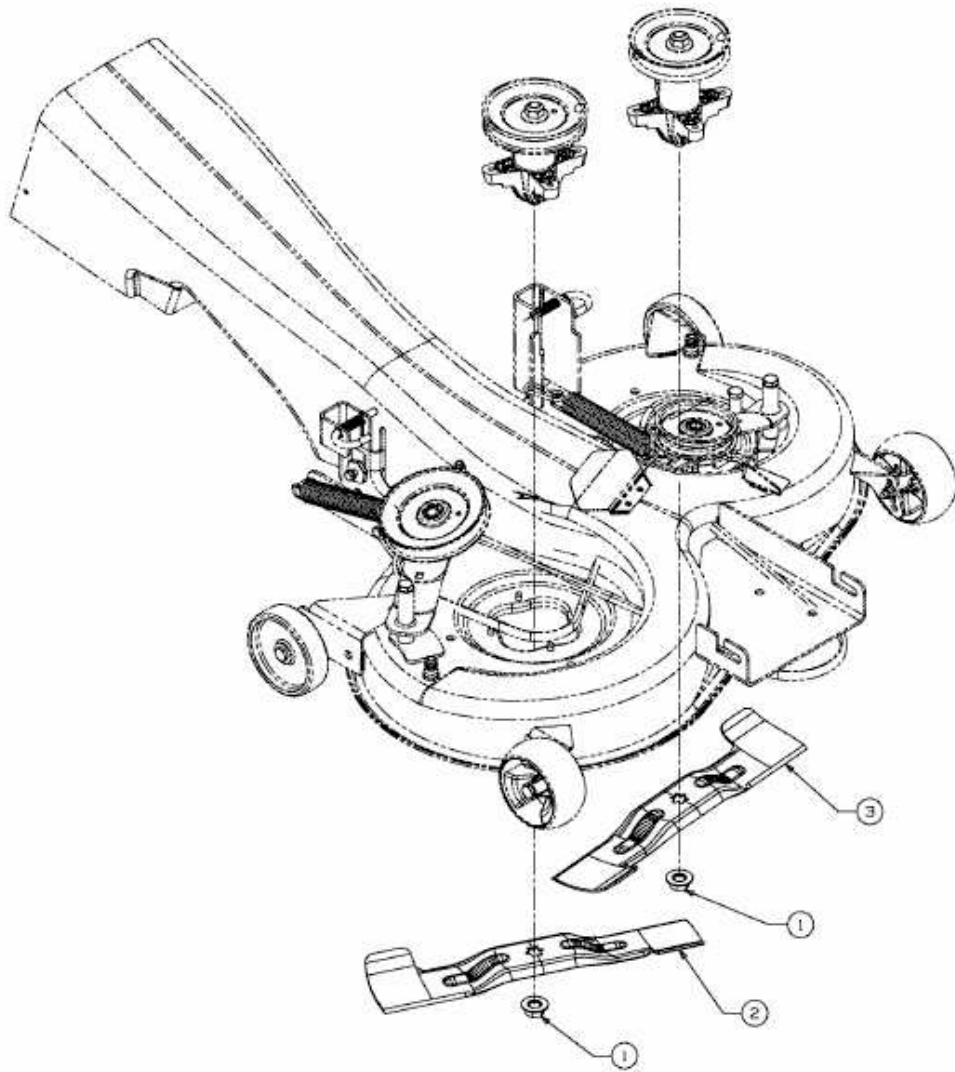


HE 5150 K > 13C1514E643 (2007) > HIGH LIFT MESSER



E3-03075A-01