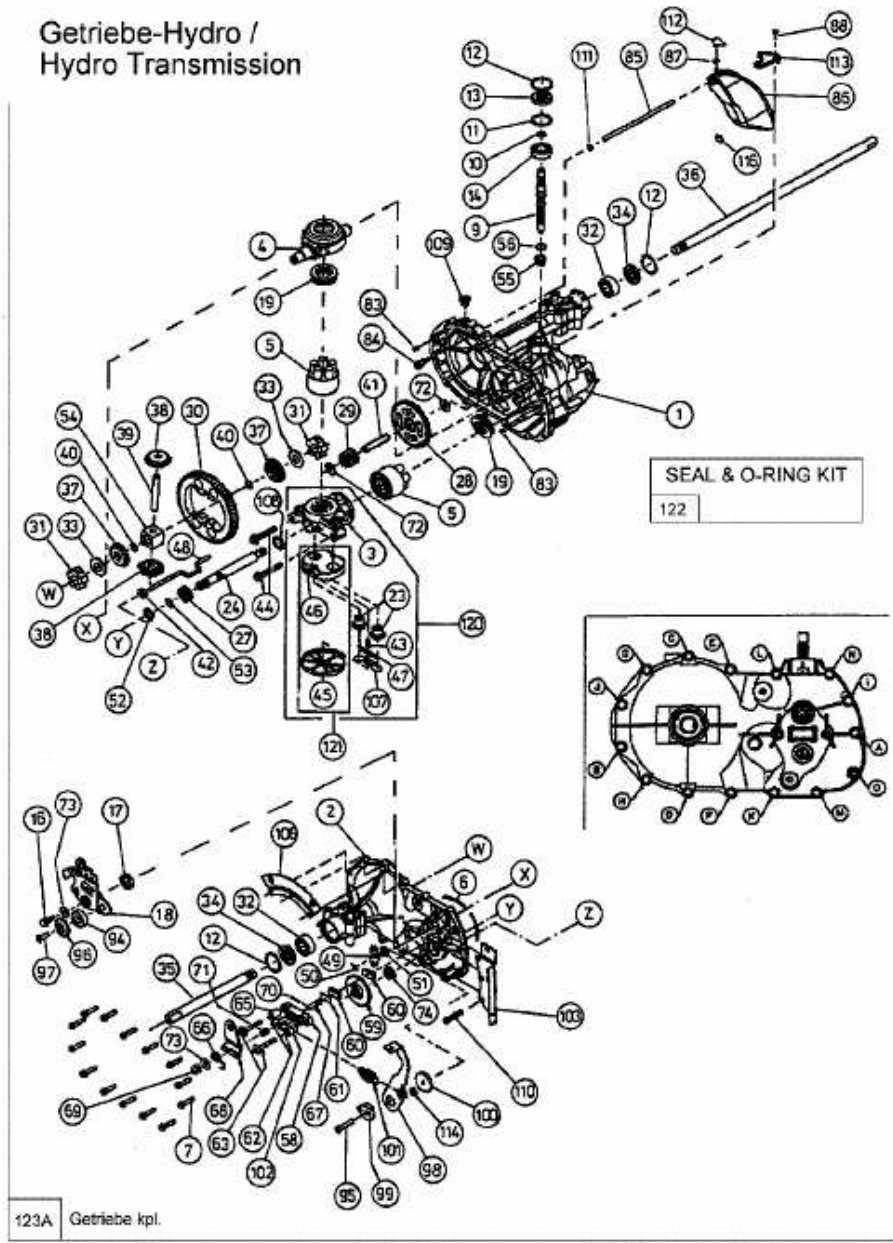


HE 5150 K > 13CI514E643 (2007) > HYDROSTAT



E3-01407B-01