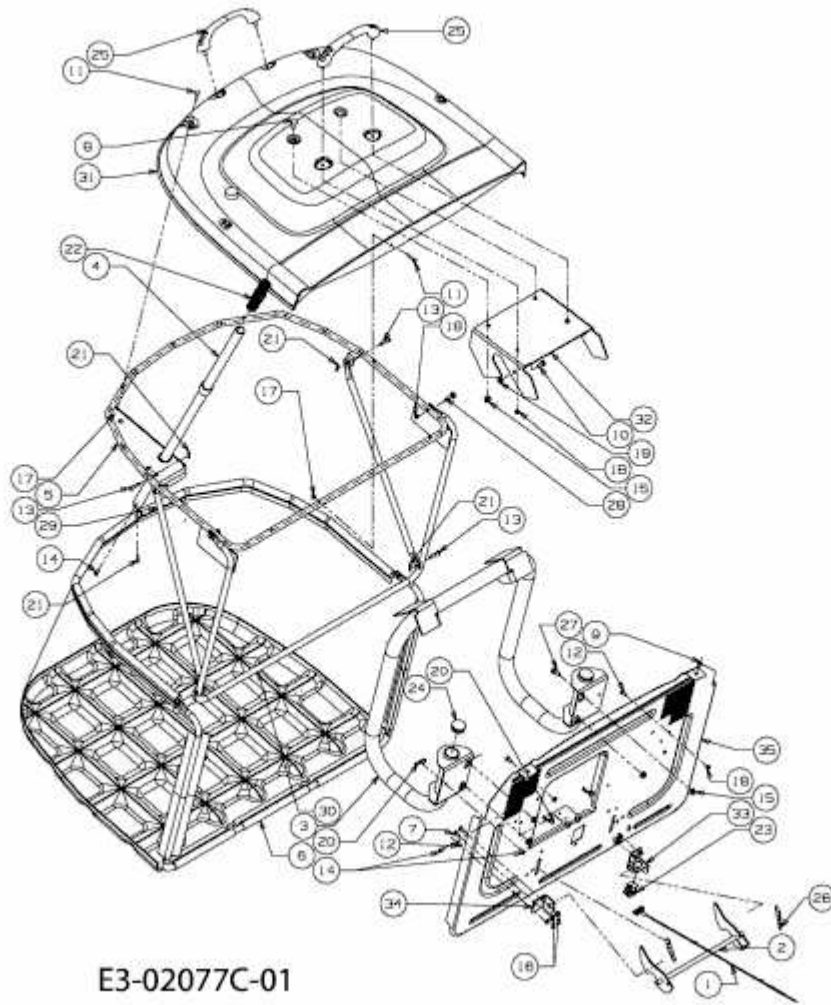


25/105 H > 13CI513N686 (2009) > GRASFANGEINRICHTUNG



E3-02077C-01