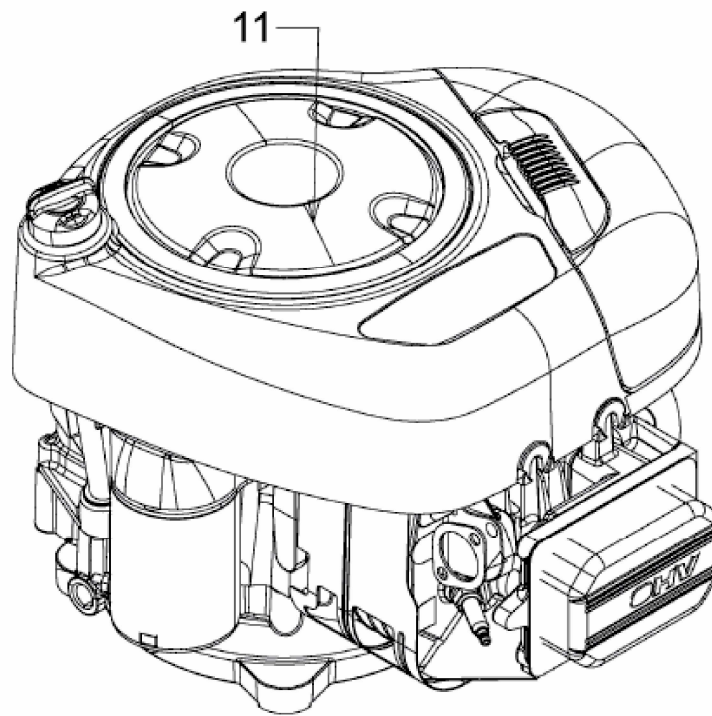


Briggs & Stratton



Model 21R807  
Type 0003B1

E3-02445A-01