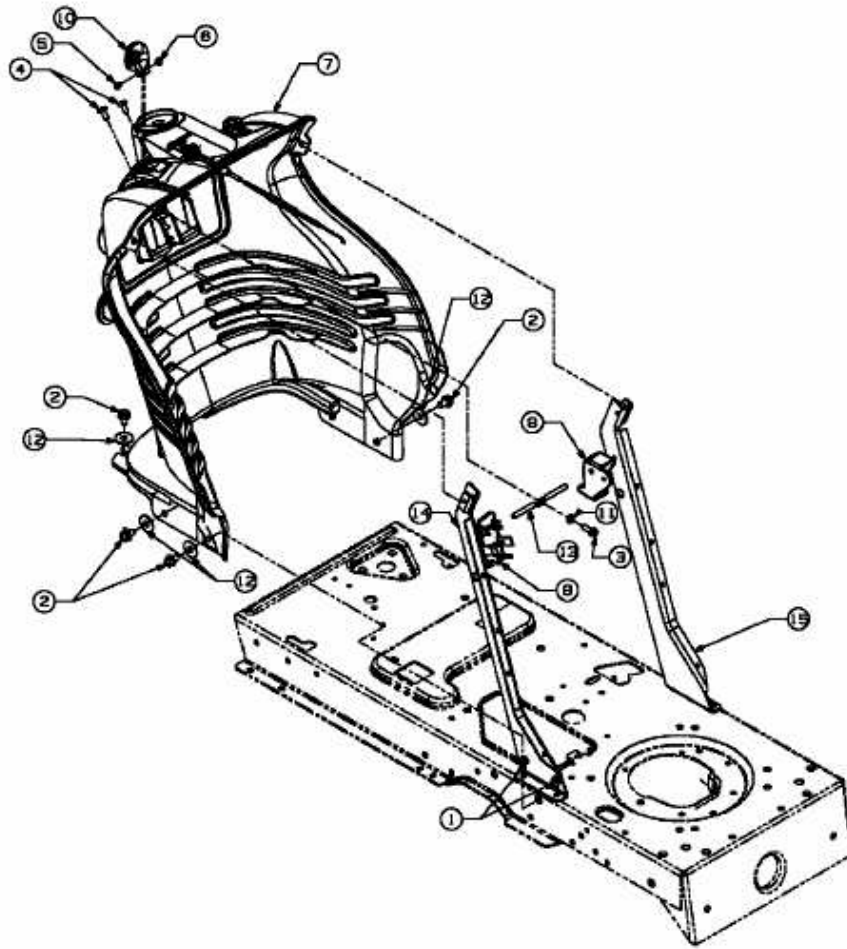


GLX 92 RH > 13CH516E690 (2005) > ARMATURENBRETT



E3-02067A-01