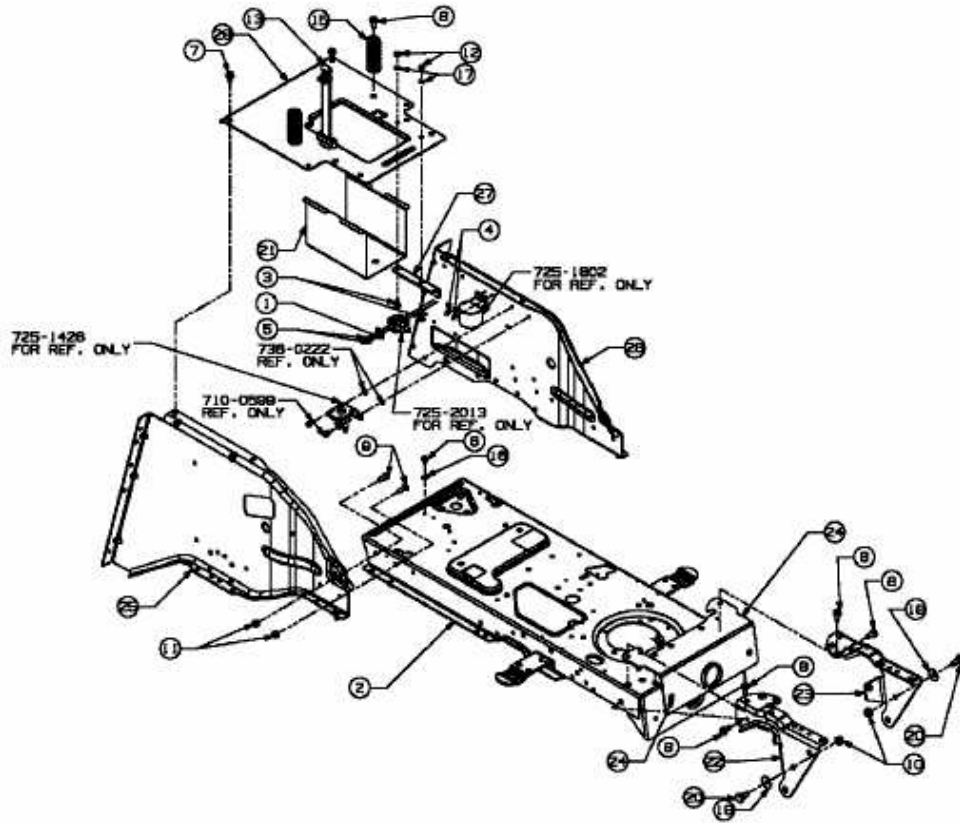


GLX 92 RH > 13CH516E690 (2005) > RAHMEN



E3-02027A-01