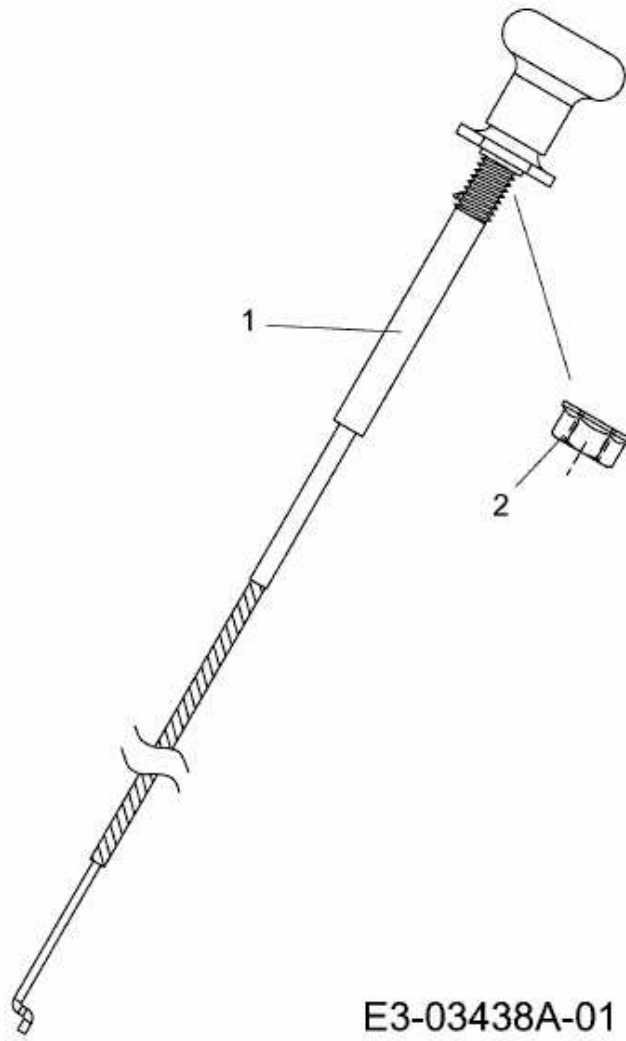


HE 5150 K > 13CG514E643 (2008) > CHOKEZUG



E3-03438A-01