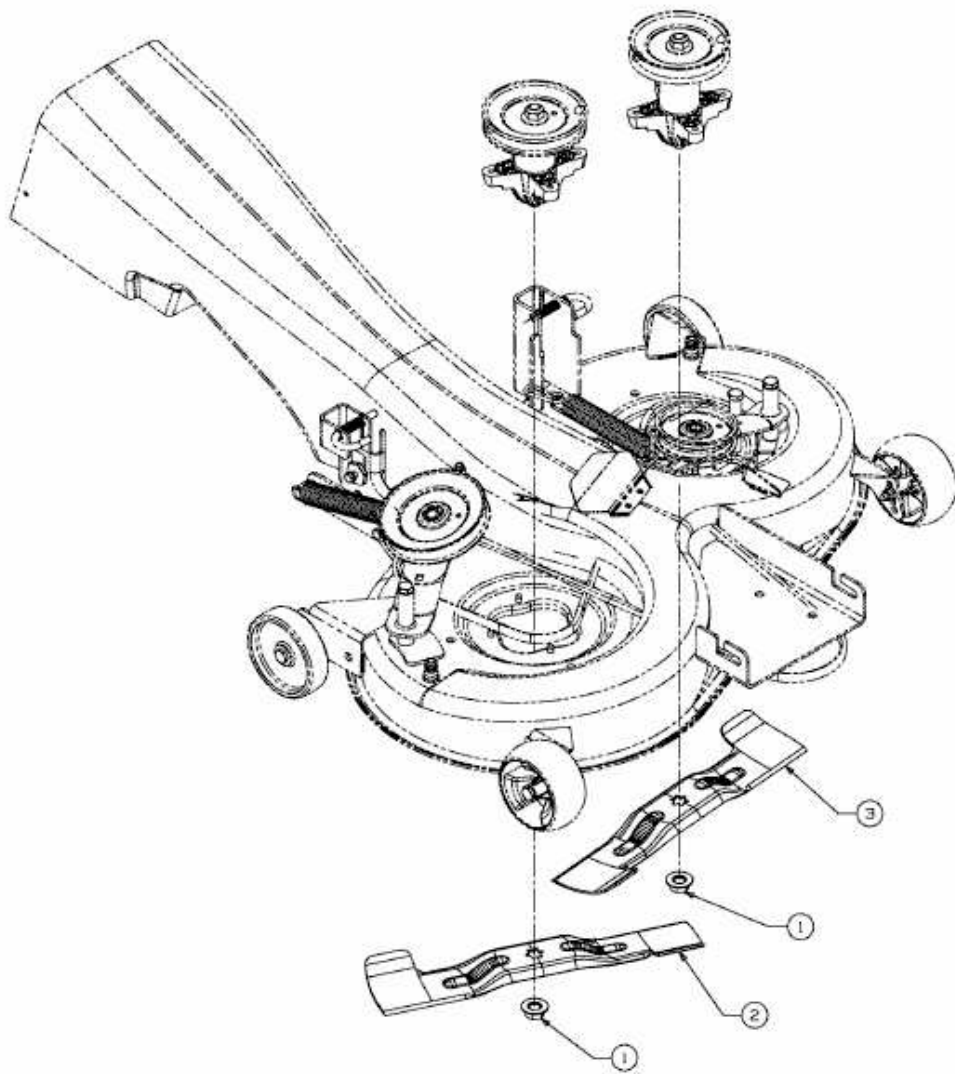


HE 5150 K > 13CG514E643 (2008) > HIGH LIFT MESSER



E3-03075A-01