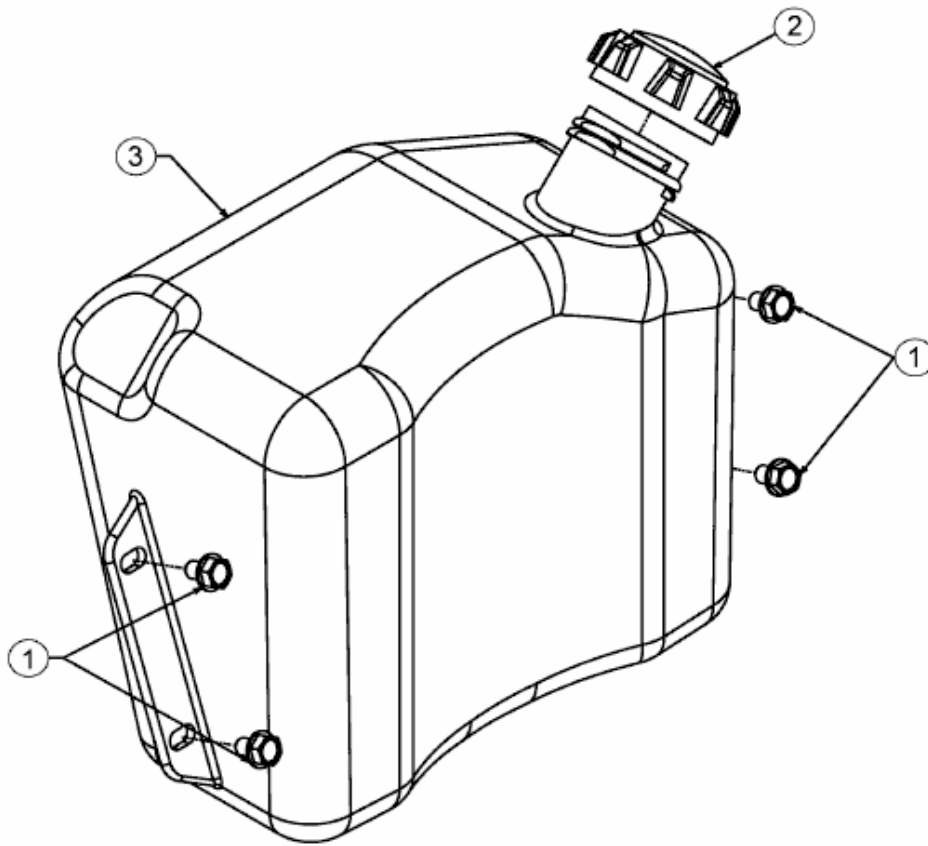


HE 5150 K > 13CG514E643 (2008) > TANK



E3-02020A-01