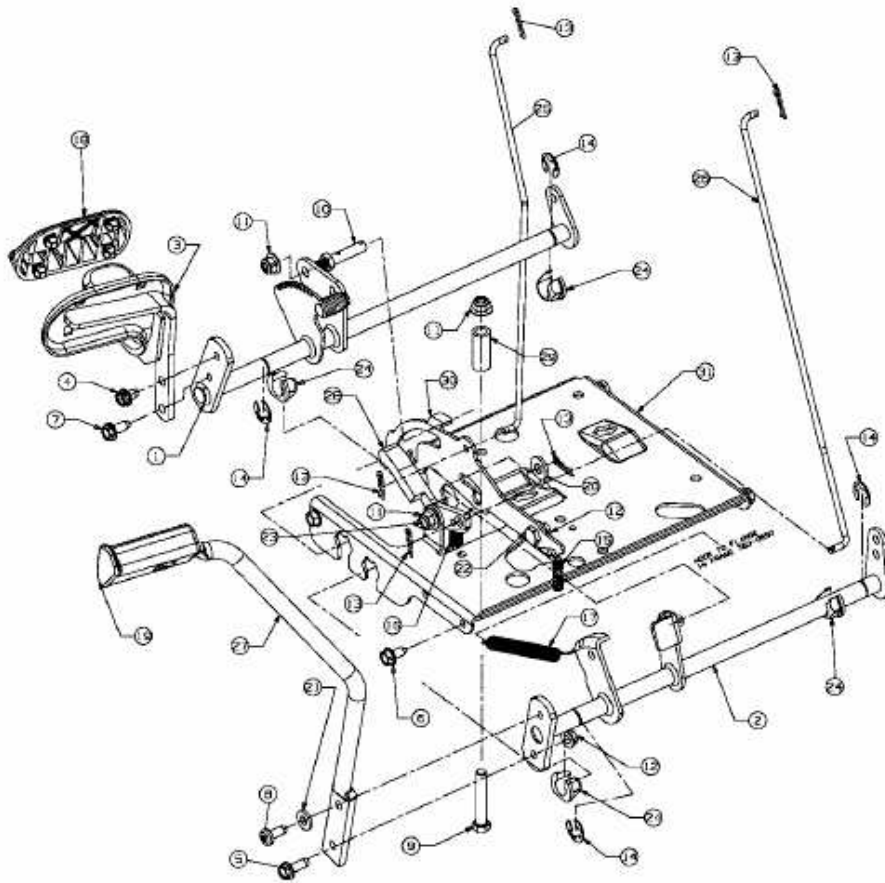


HE 5150 K > 13CG514E643 (2008) > PEDALE



E3-02032C-01