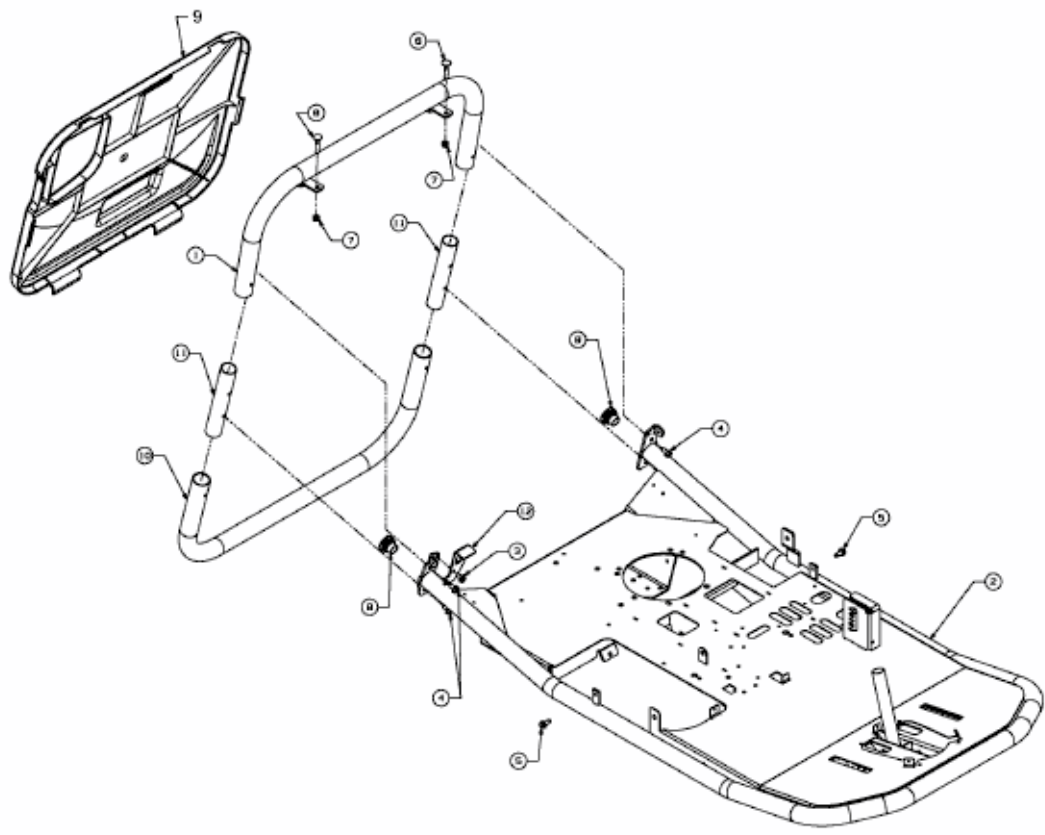


MASTERCUT 60 > 13C3054-659 (2011) > RAHMEN



E3-06796A-01