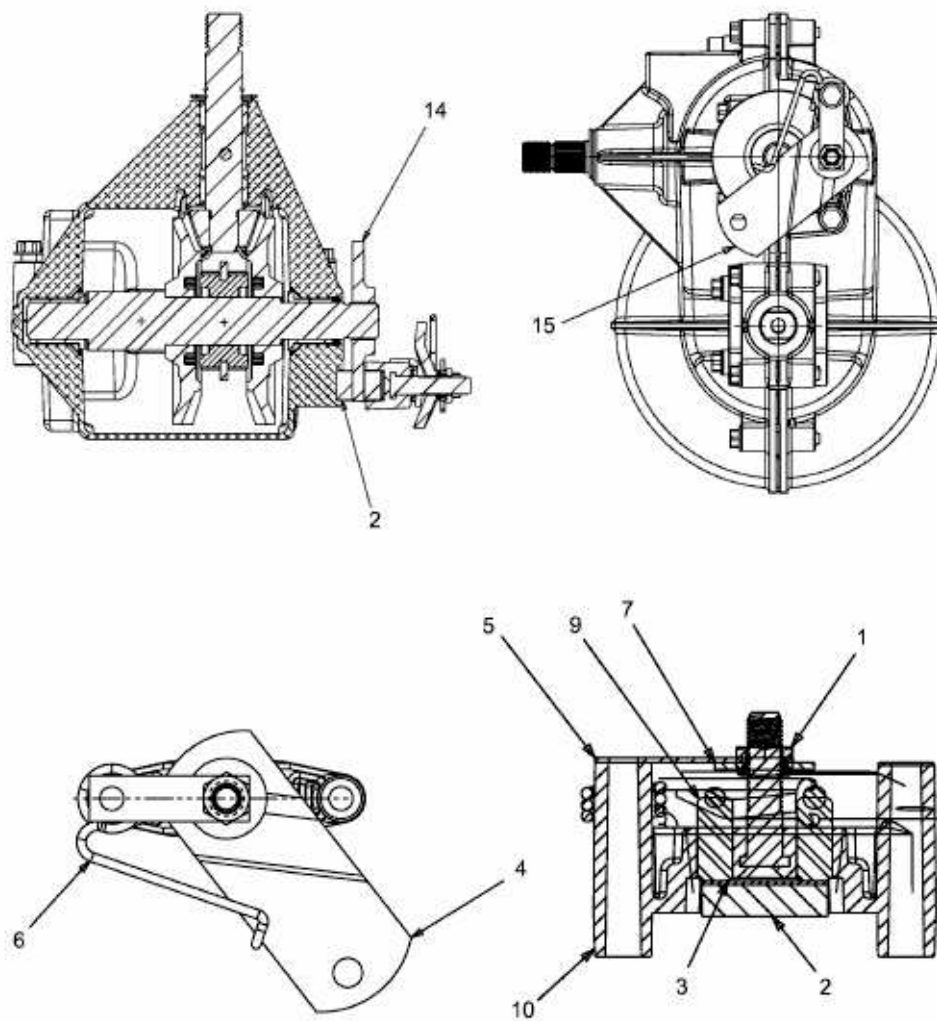


MASTERCUT 60 > 13C3054-459 (2012) > BREMSE



E3-06790A-03