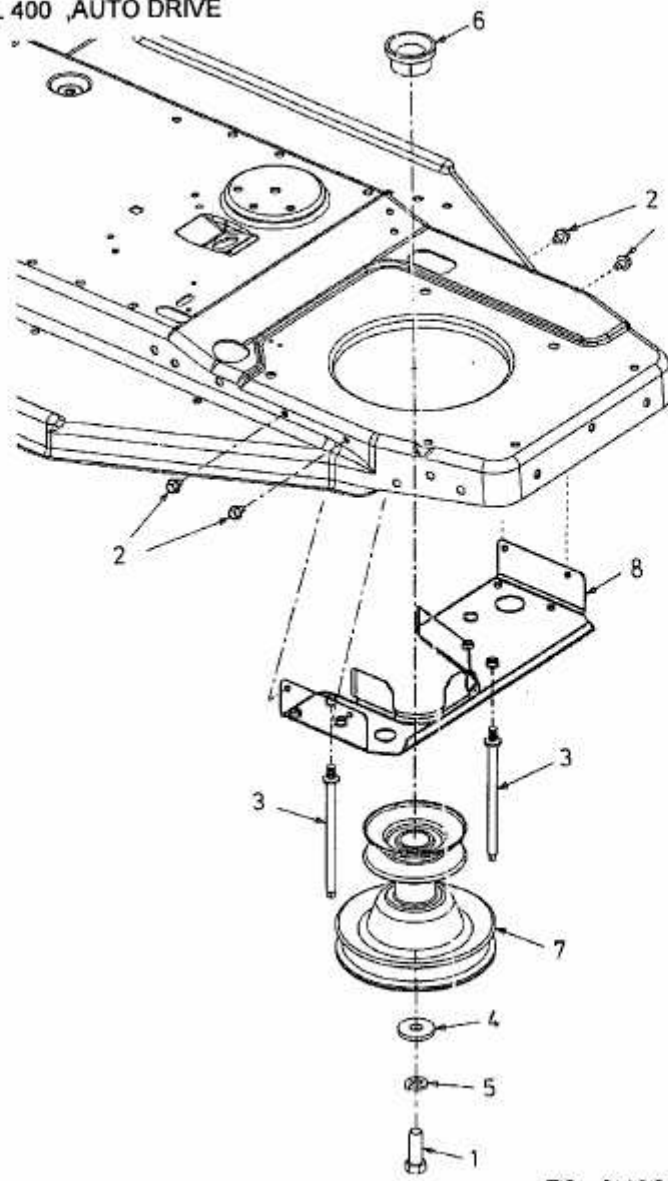


RH 125/92 > 13C1452E600 (2003) > MOTORKEILRIEMENSCHLEIBE

Manual PTO

RIDER MODEL 400 ,AUTO DRIVE



E3 -01436 B