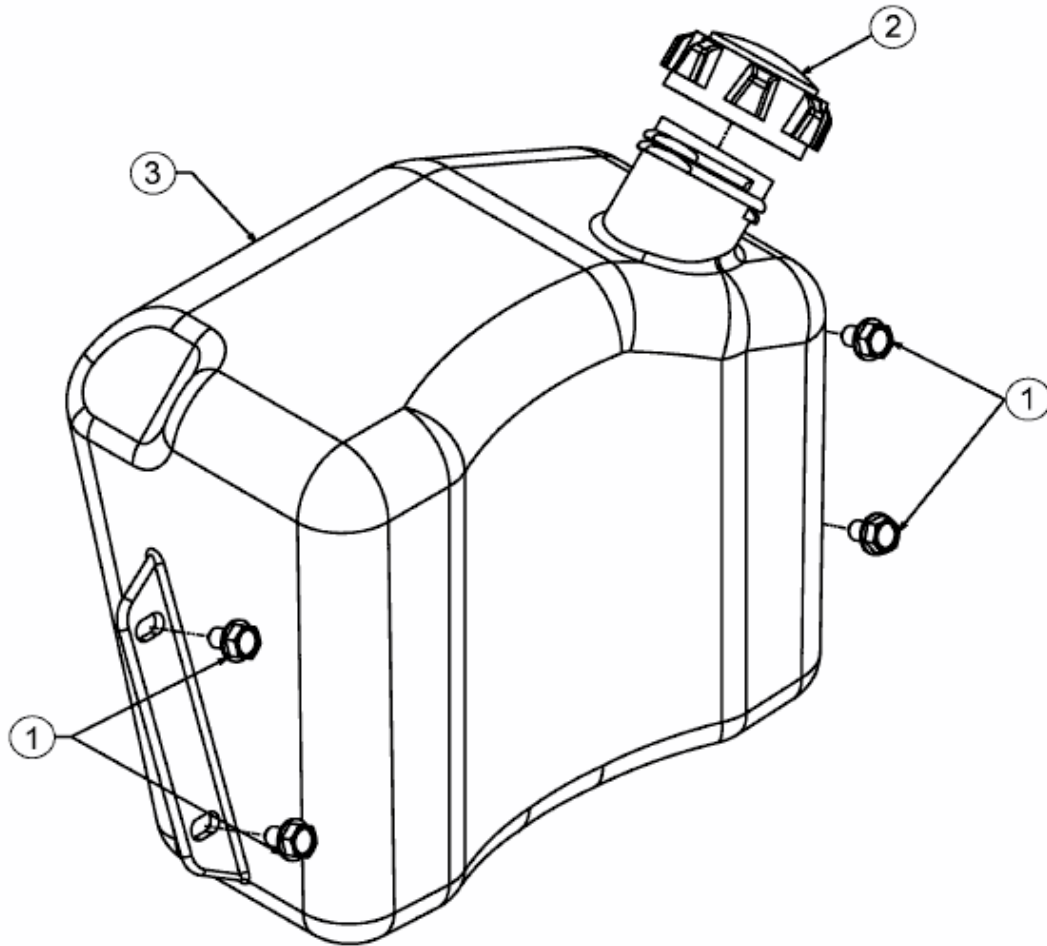


GLX 105 RH > 13BX516N690 (2006) > TANK



E3-02020A-01