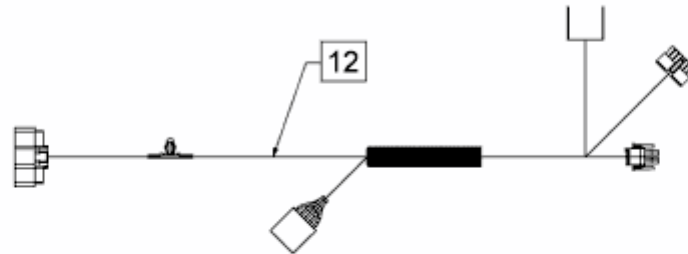
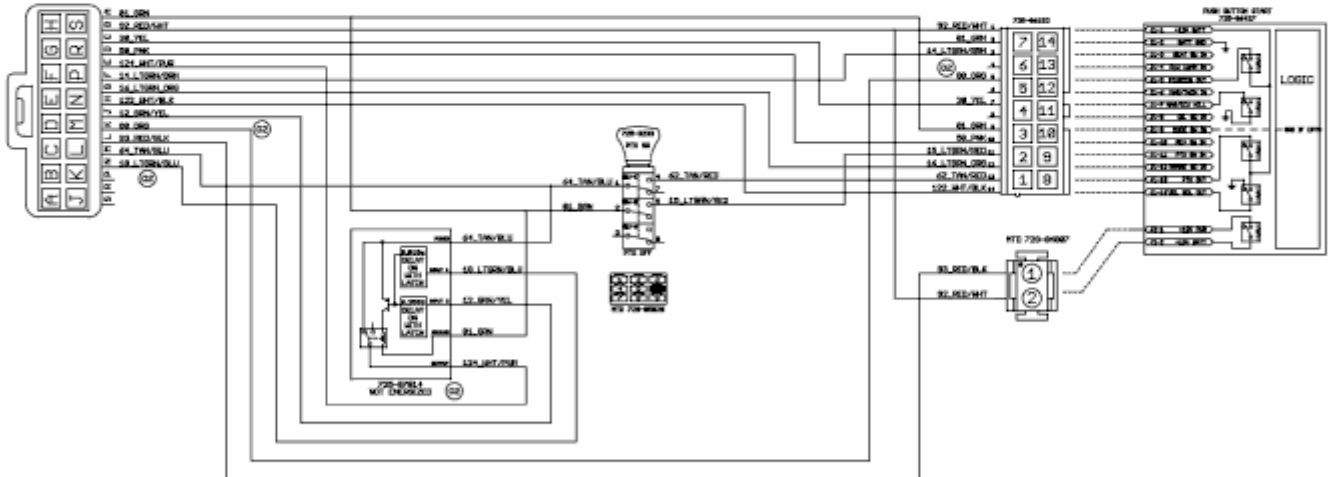


GLTT 180.106 H > 13BTA1VR650 (2017) > SCHALTPLAN ARMATURENBRETT



MAIN HARNESS  
CONNECTION 1



E3-10106A-04