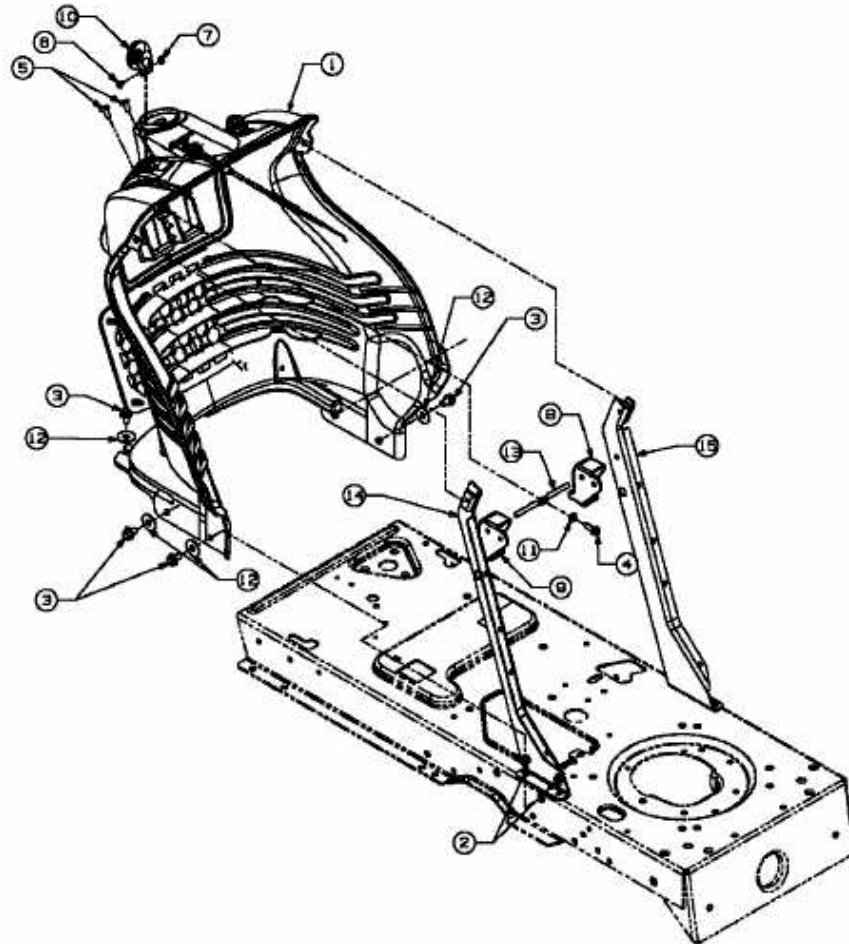


GLX 92 SHL > 13BT516I690 (2005) > ARMATURENBRETT



E3-02017A-01