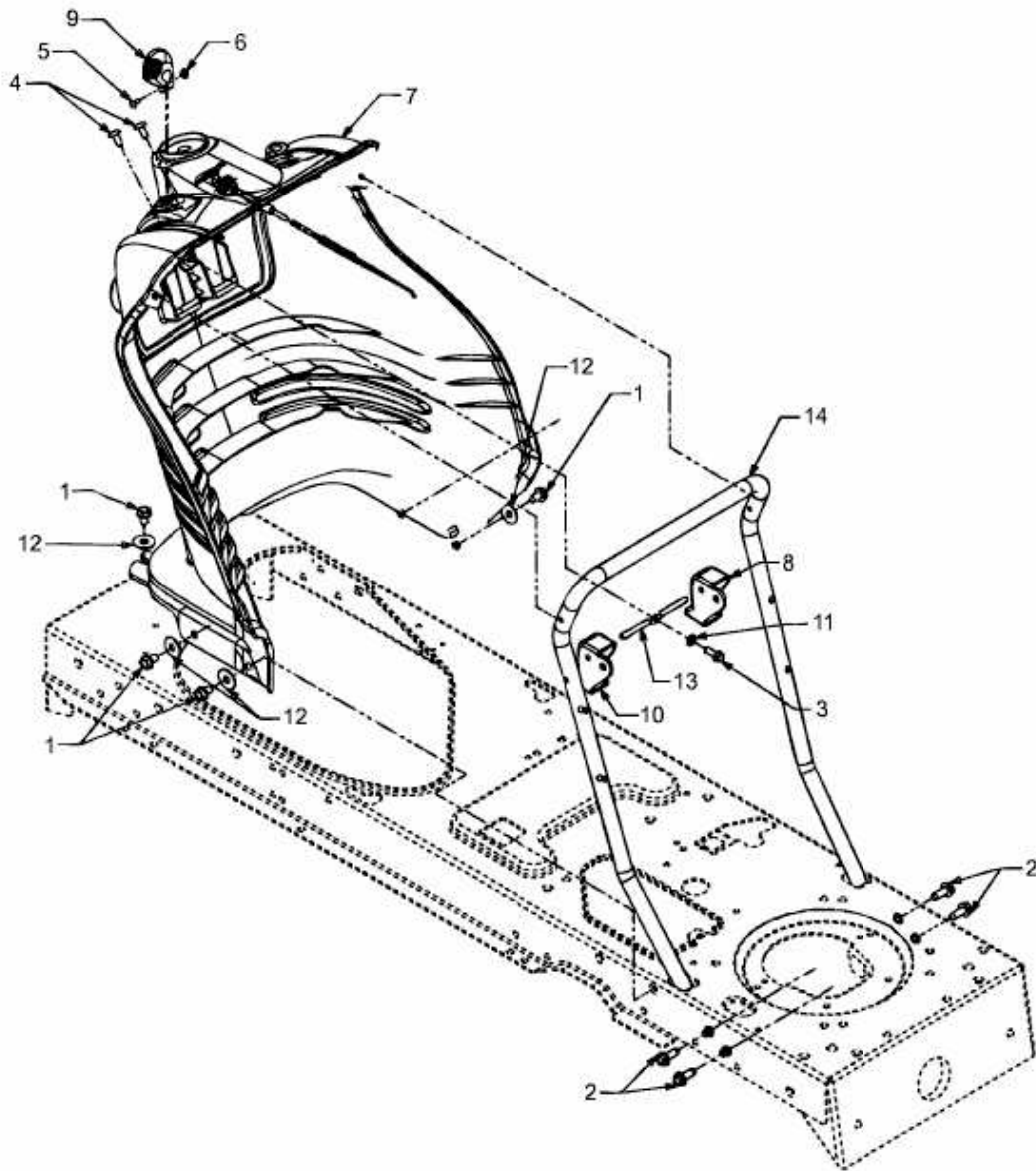


GLX 107 SHL > 13BT516G690 (2003) > ARMATURENBRETT



E3-07969A-01