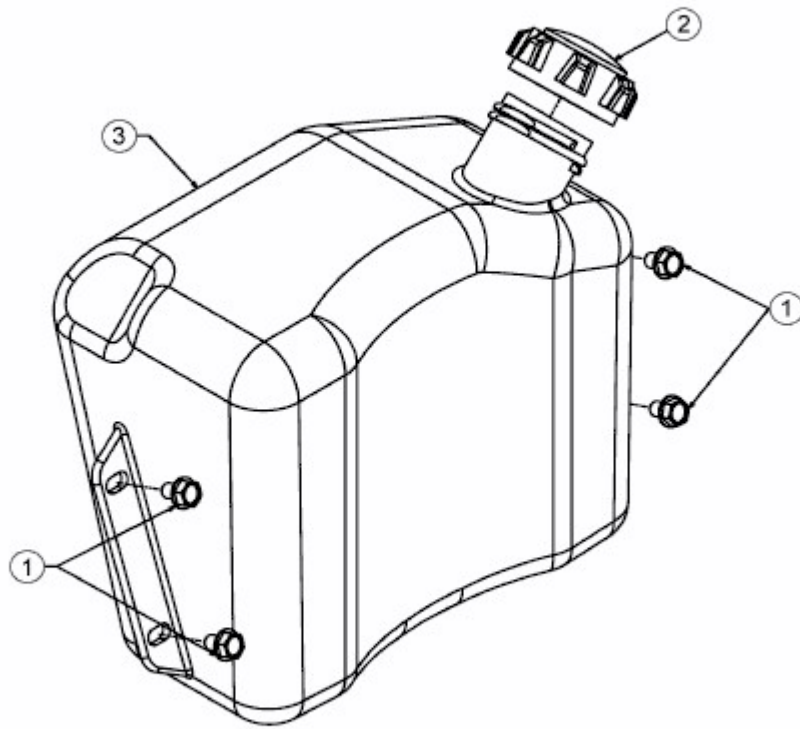


EP 18105 A > 13BT509N608 (2003) > TANK



E3-02020A-01