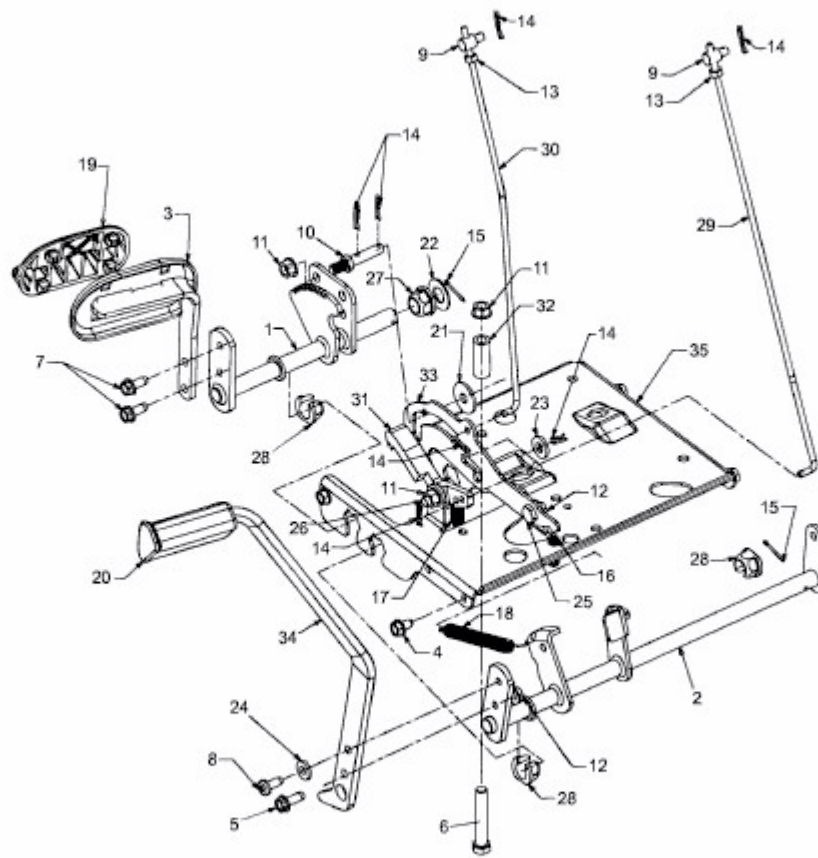


EP 18105 A > 13BT509N608 (2003) > PEDALE



E3-01654B-01