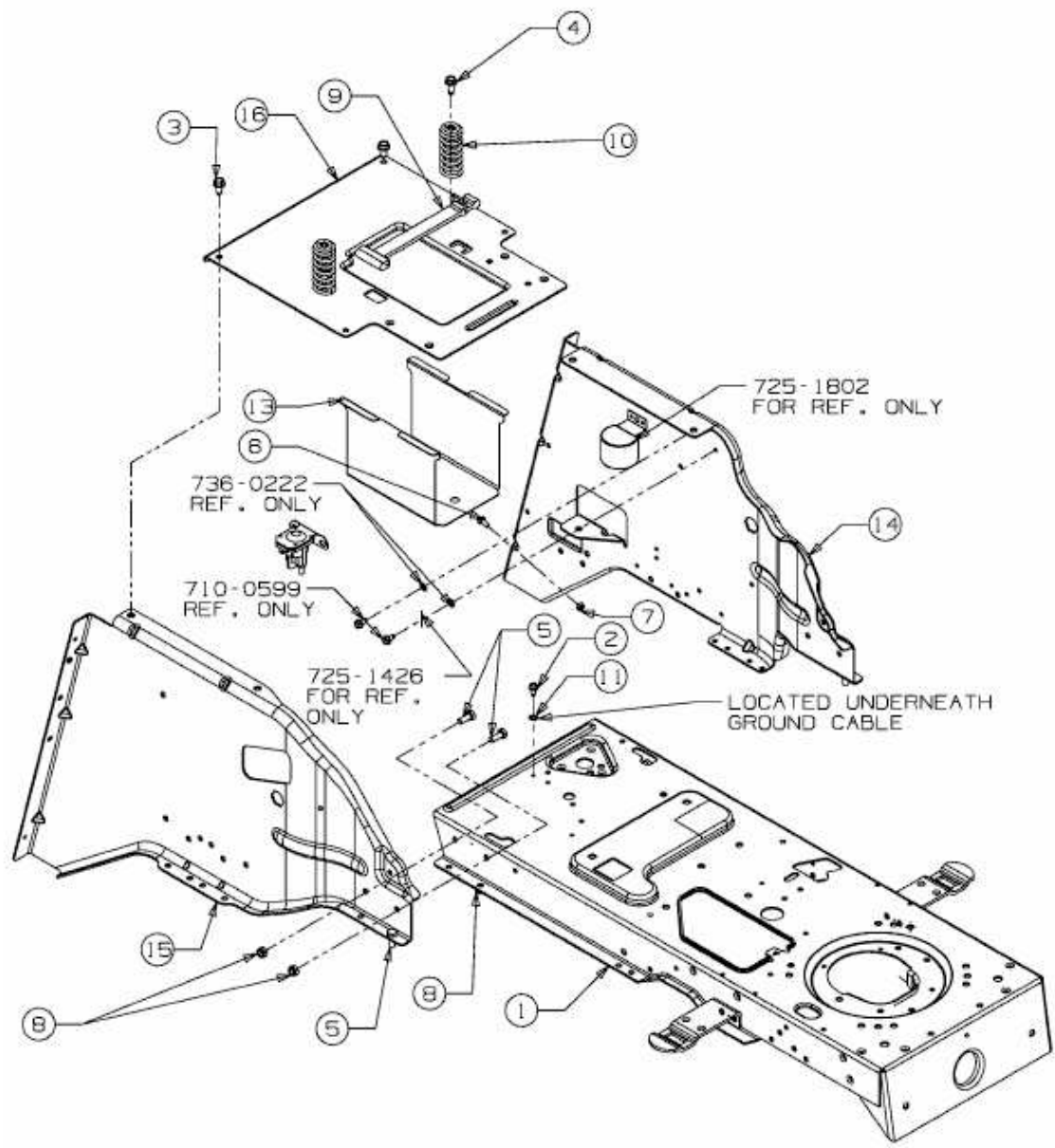


GLX 105 RAT > 13BT50GN690 (2009) > RAHMEN



E3-04928A-01