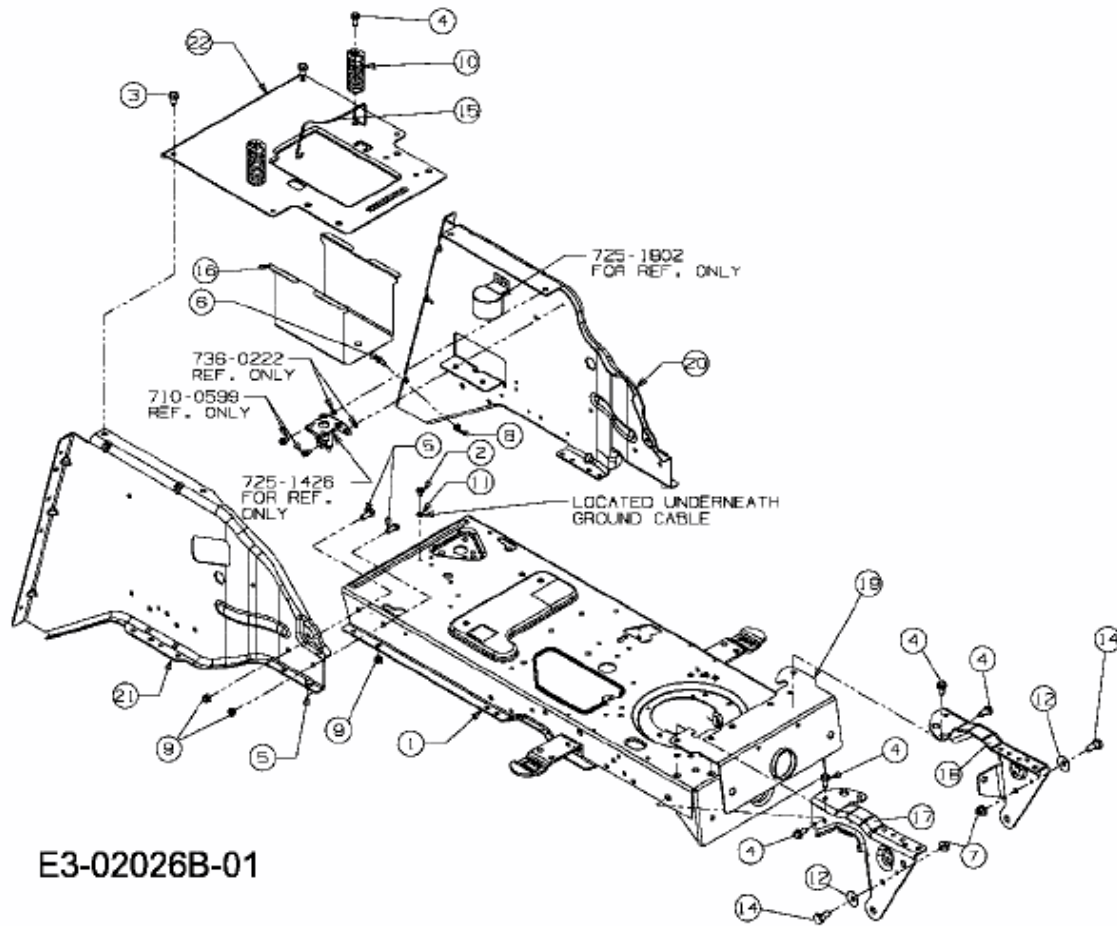


GLX 105 RAT > 13BT506N690 (2008) > RAHMEN



E3-02026B-01