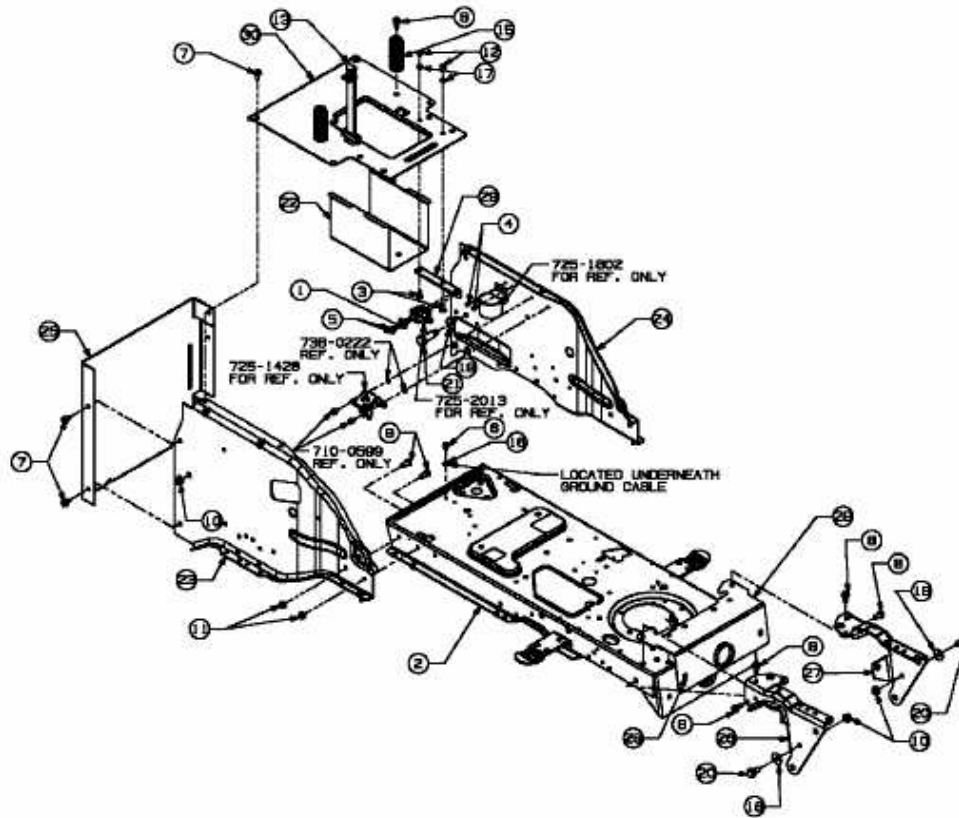


GLX 92 SHL > 13BP516I690 (2006) > RAHMEN



E3-02029A-01