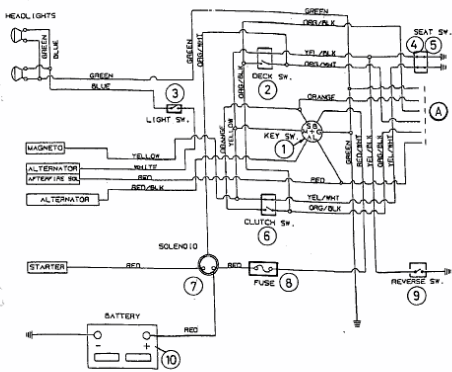


H 150 B > 13BP418F678 (2003) > SCHALTPLAN INTEK OHNE ELEKTROMAGNETKUPPLUNG

KEY SWITCH 725-1396	
OFF	G-M-A
RUN	B-L-A
START	S-S-L

Green	5 GRD
Orange	2 BRK
Org/Blk	4 Deck
Org/Wht	3 Deck
Org/Blk	1 Brk
Red	8 + 12V



- 13AP414A643 HA 4145
- 13AP414F643 HF 4145
- 13AP416A680 LRH 145 H
- 13AP416A690 SPRINT SLX 76 RH
- 13AP494A643 HA 4145
- 13AP496A690 SLX 76 RH

SCHEM: ELEC: 400 HYDRO: INTEK
813-04375 WITHOUT PTO

E3-01493 A