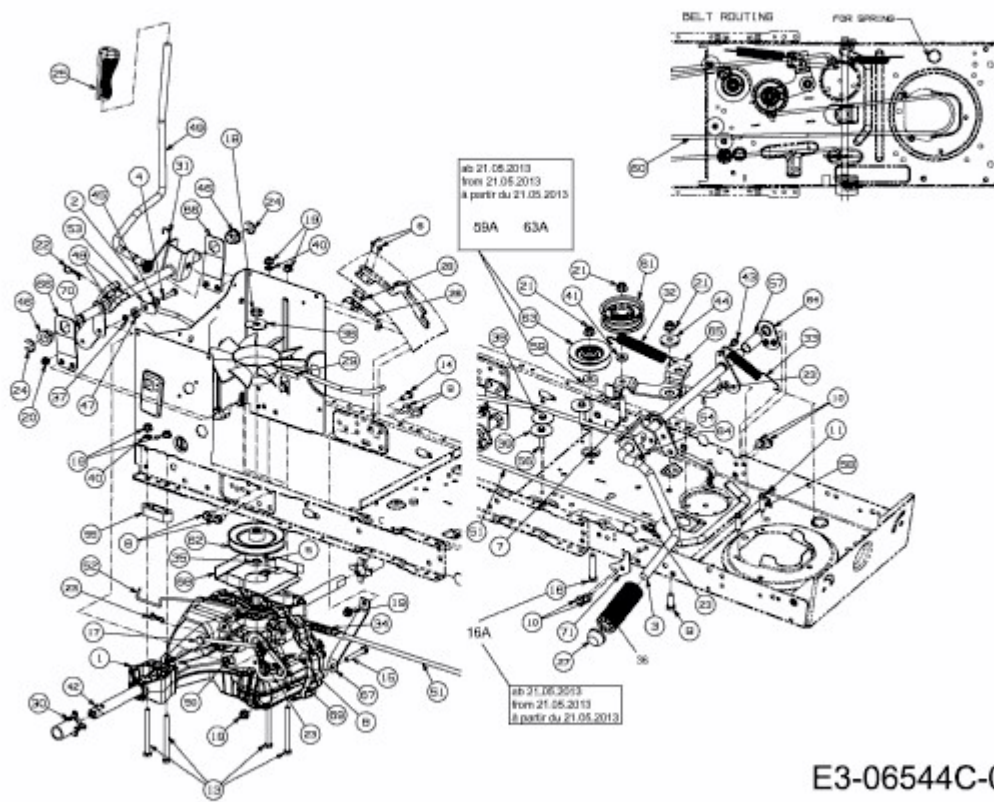


STORM 108/18,5 H > 13BO79KG637 (2013) > FAHRANTRIEB, PEDALE



E3-06544C-01