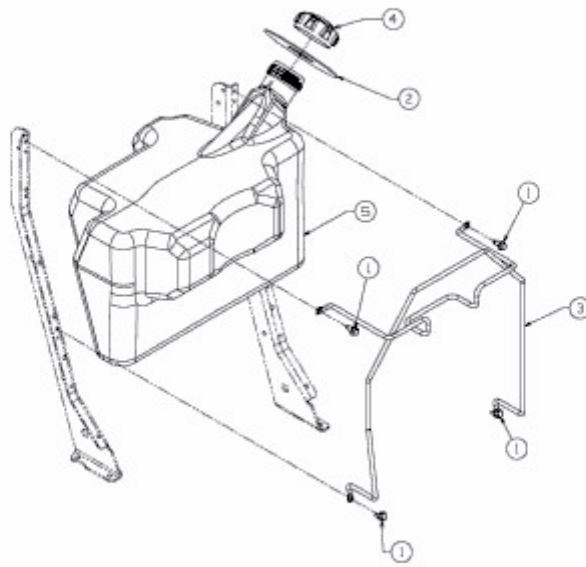


CC 1019 HG > 13BJ93AG603 (2014) > TANK



E3-04527B-01