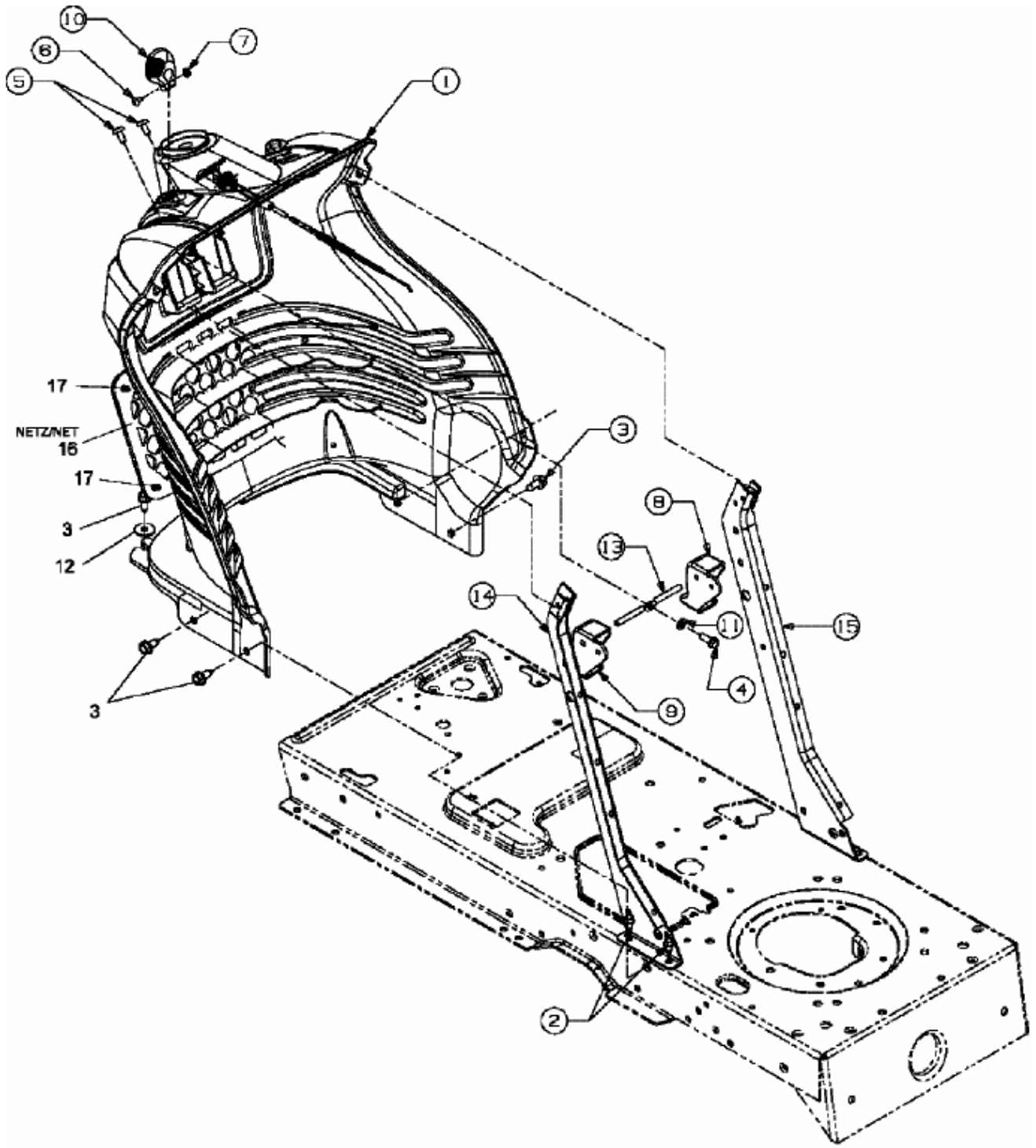


GLX 105 RALK > 13BI506N690 (2007) > ARMATURENBRETT



E3-02017B-01