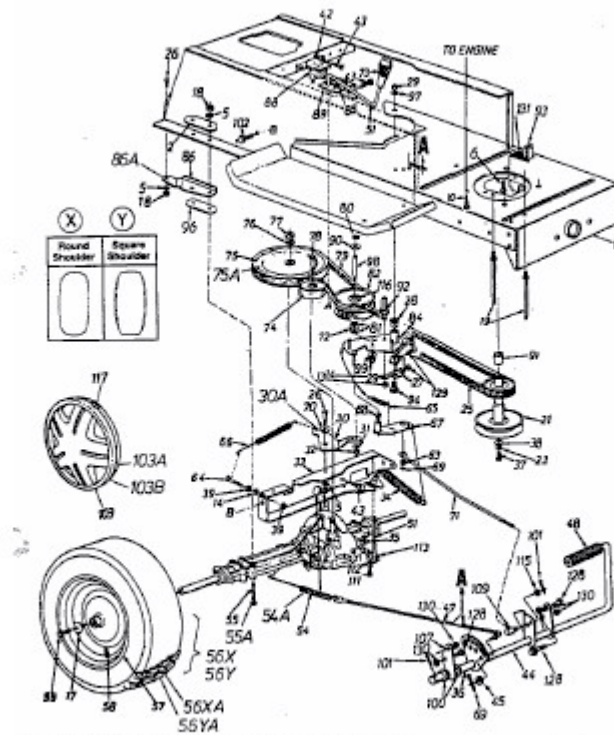


AM 1201 > 13BH663G619 (2000) > FAHRANTRIEB, MOTORKEILRIEMENSCHIBE, PEDAL

Models 660 thru 679



IMPORTANT: For a proper working machine, use Factory Approved Parts.
 V-BELTS are specially designed to engage and disengage safely. A substitute (non OEM) V-belt can be dangerous by not disengaging completely.

E4-00793 A