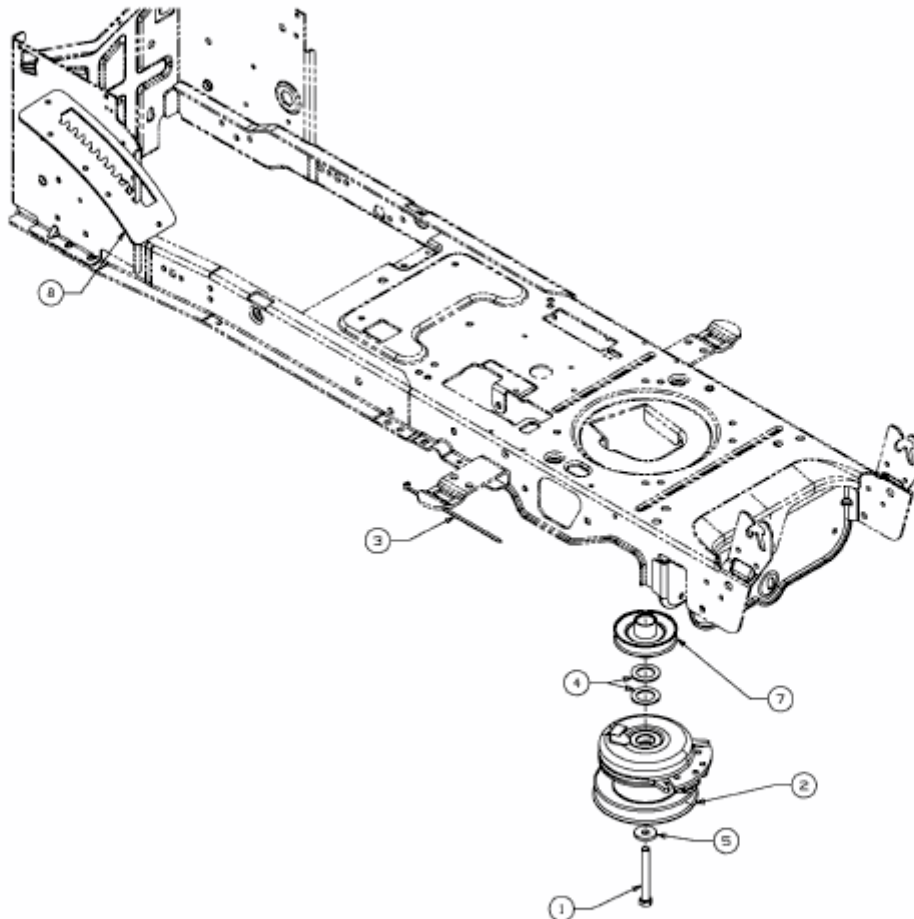


EXPERT 96.160 H > 13BG93WF650 (2014) > ELEKTROMAGNETKUPPLUNG,
MOTORKEILRIEMENSCHIBE



E3-04594C-01