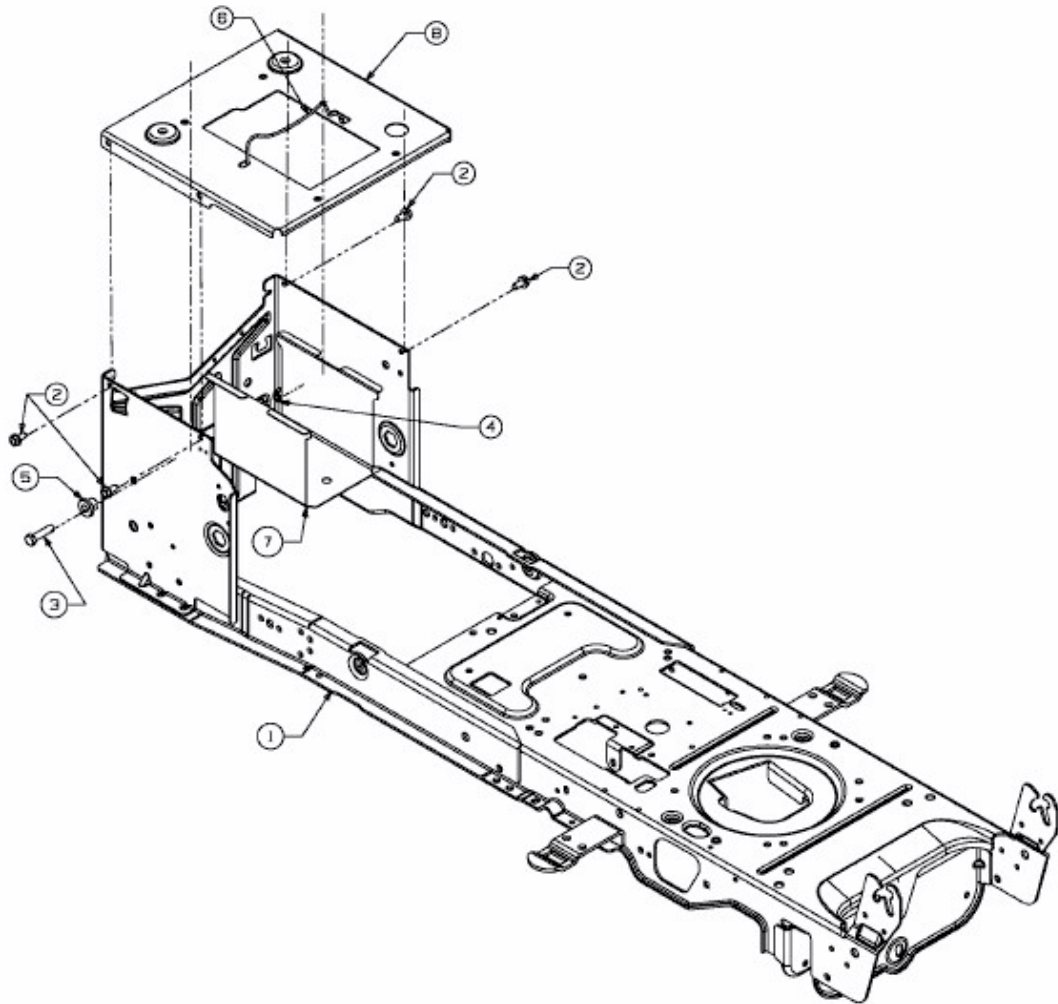


ELX 107 SHL-K > 13BG91GG690 (2011) > RAHMEN



E3-04534B-01