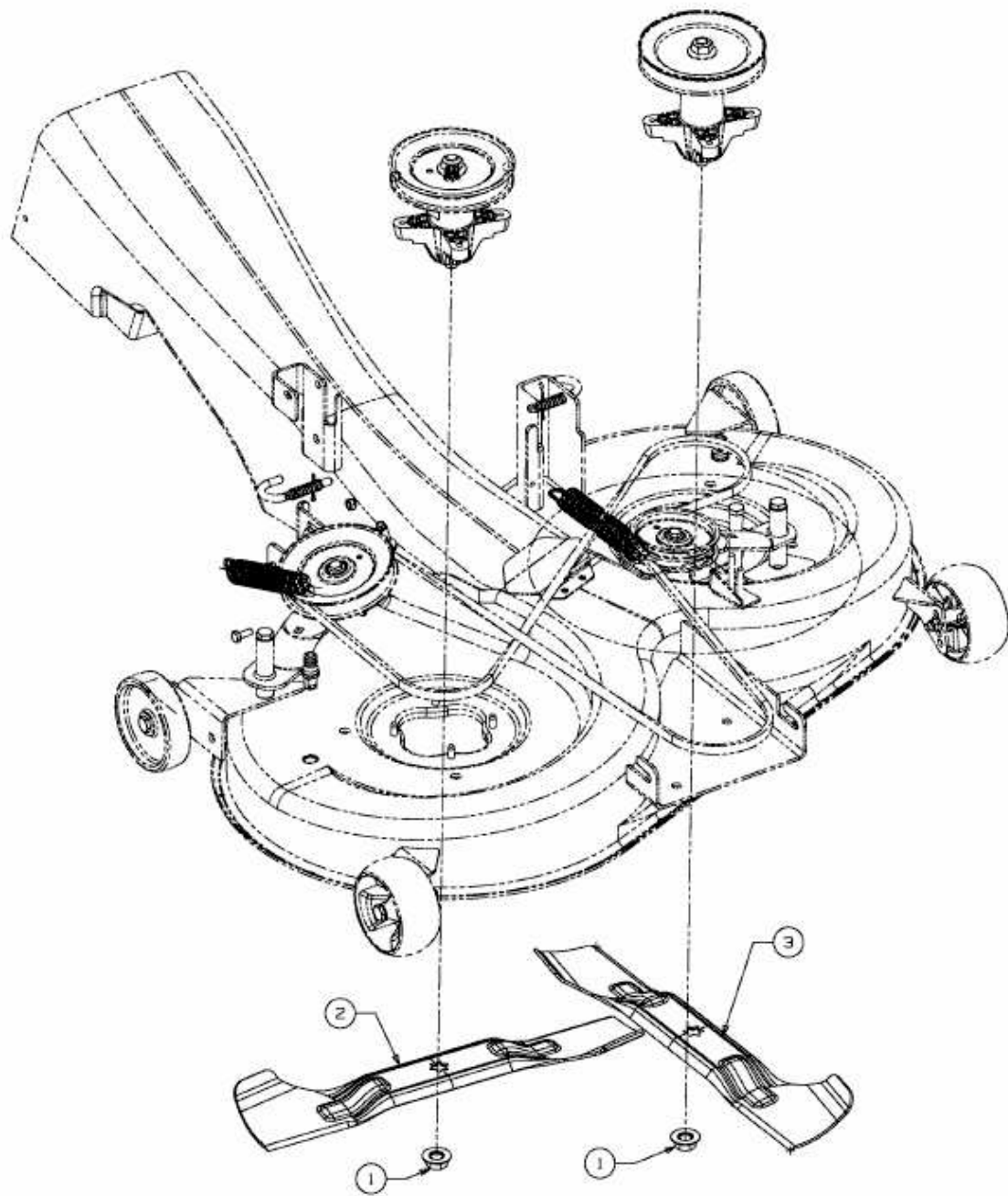


GLX 105 RALK > 13BG506N690 (2008) > HIGH LIFT MESSER



E3-03077A-01