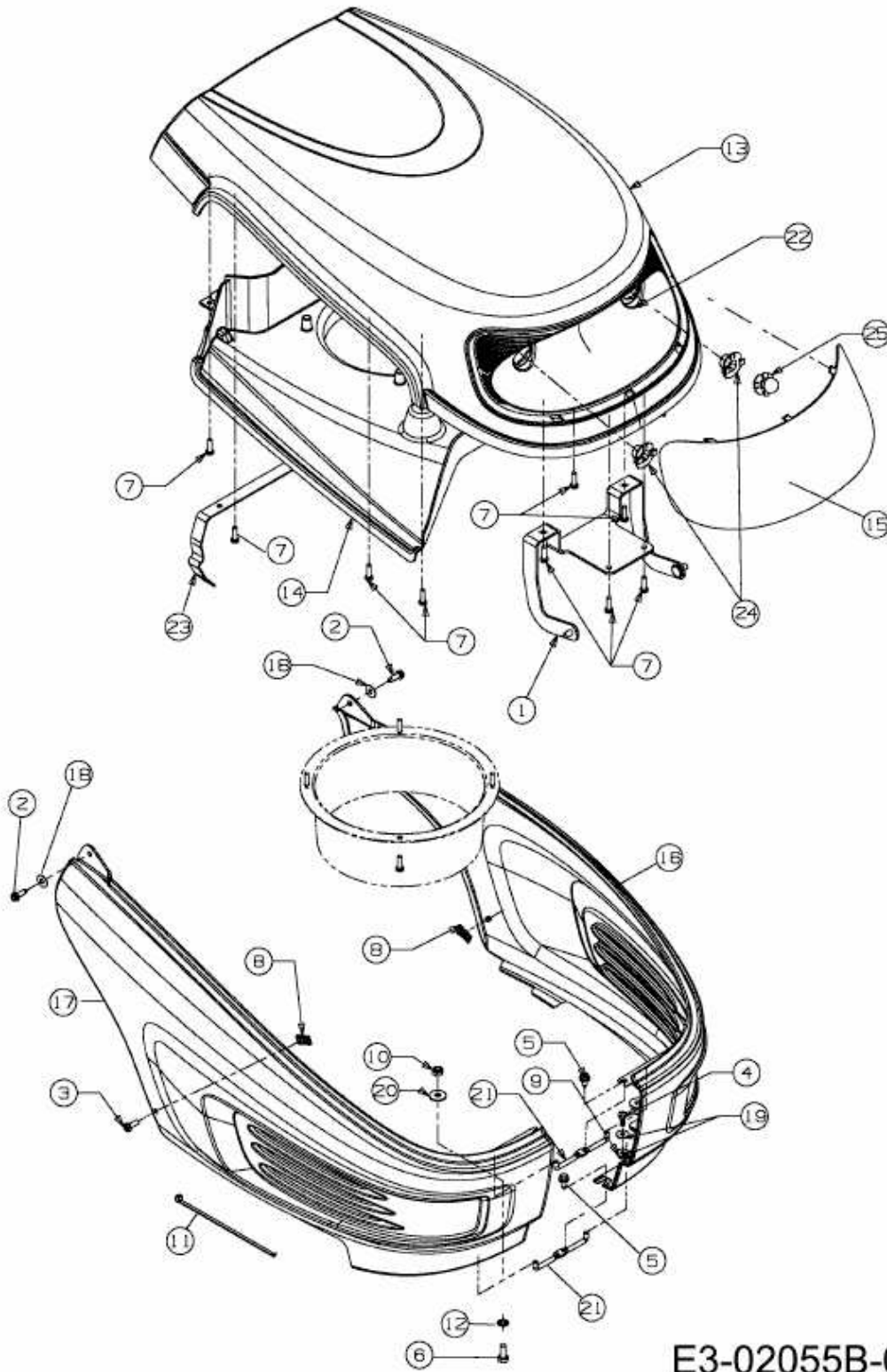


GLX 105 RALK > 13BG506N690 (2008) > MOTORHAUBE 6-STYLE



E3-02055B-01