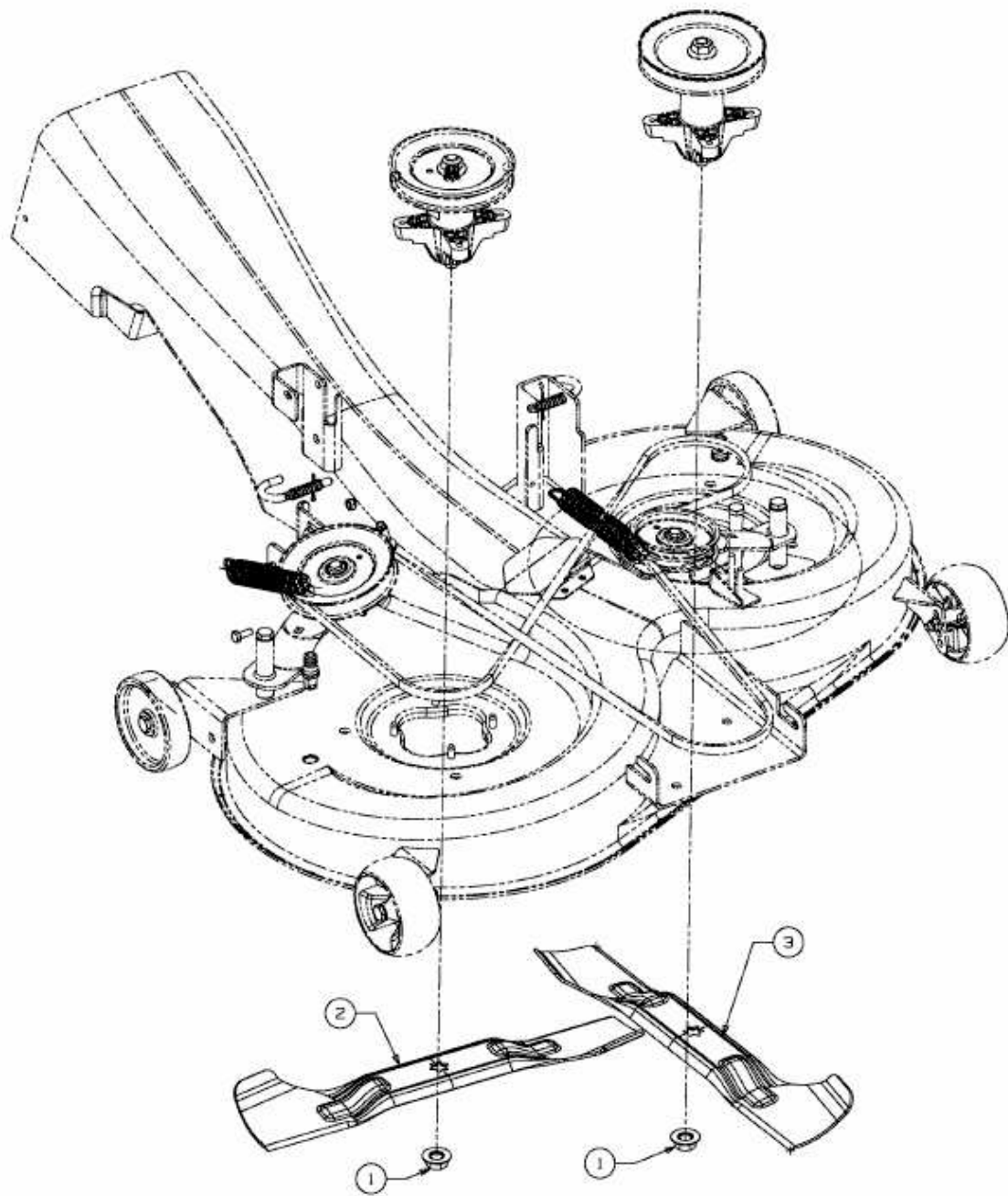


GLX 105 RHL-SK > 13BF516N690 (2008) > HIGH LIFT MESSER



E3-03077A-01