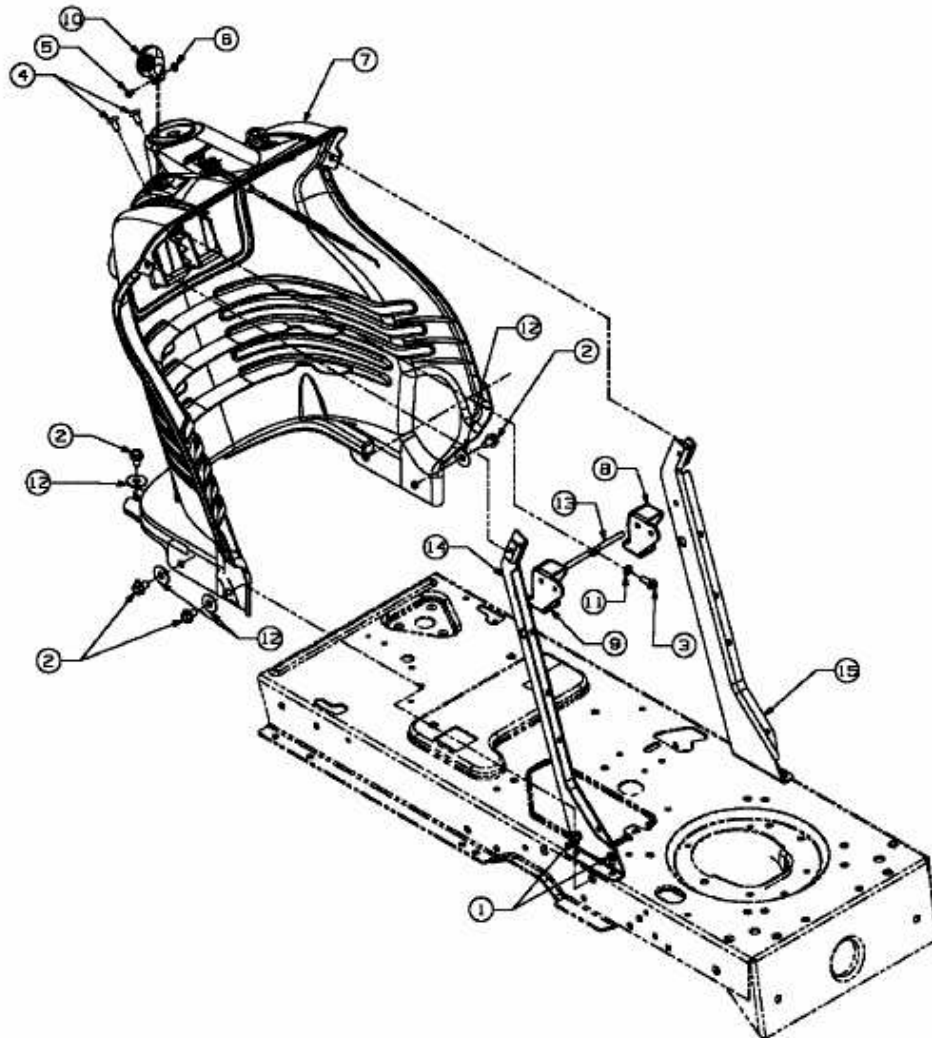


GLX 105 RHL-SK > 13BF516N690 (2008) > ARMATURENBRETT



E3-02066A-01