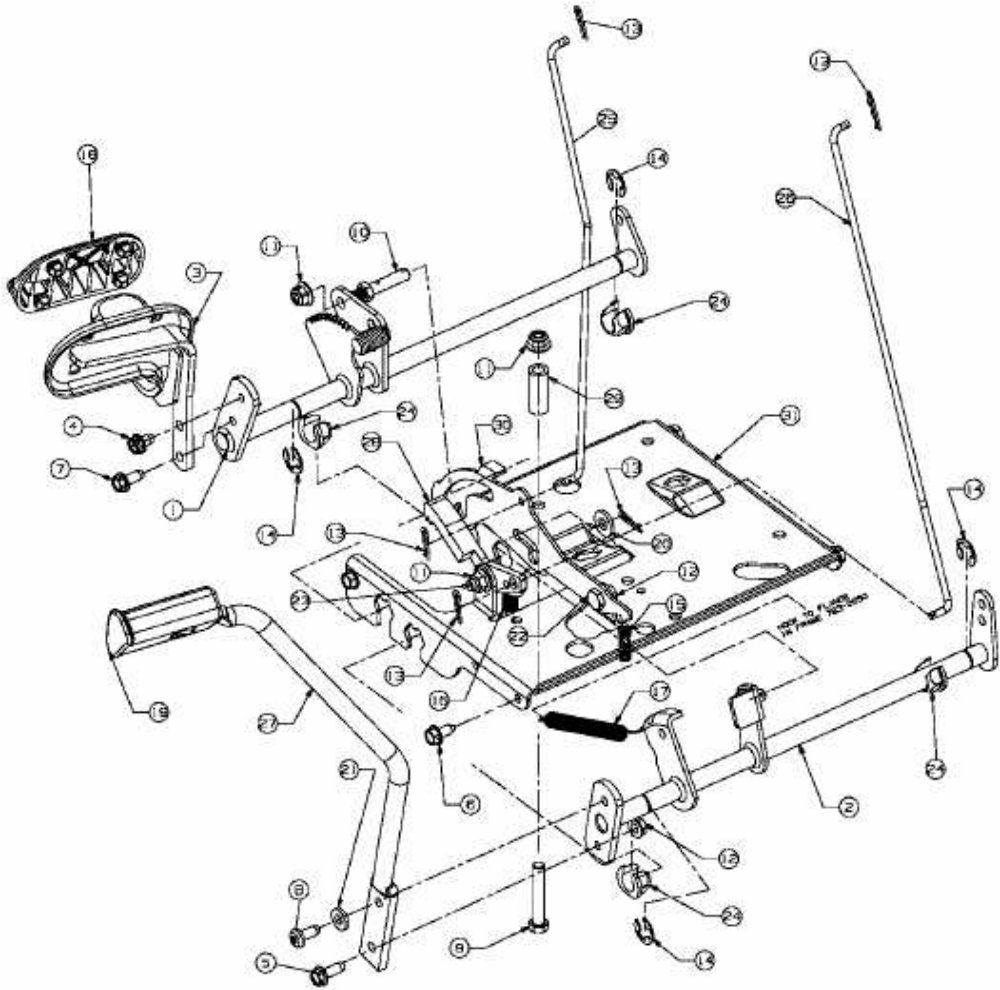


GLX 105 RHL-SK > 13BF516N690 (2008) > PEDALE



E3-02032C-01