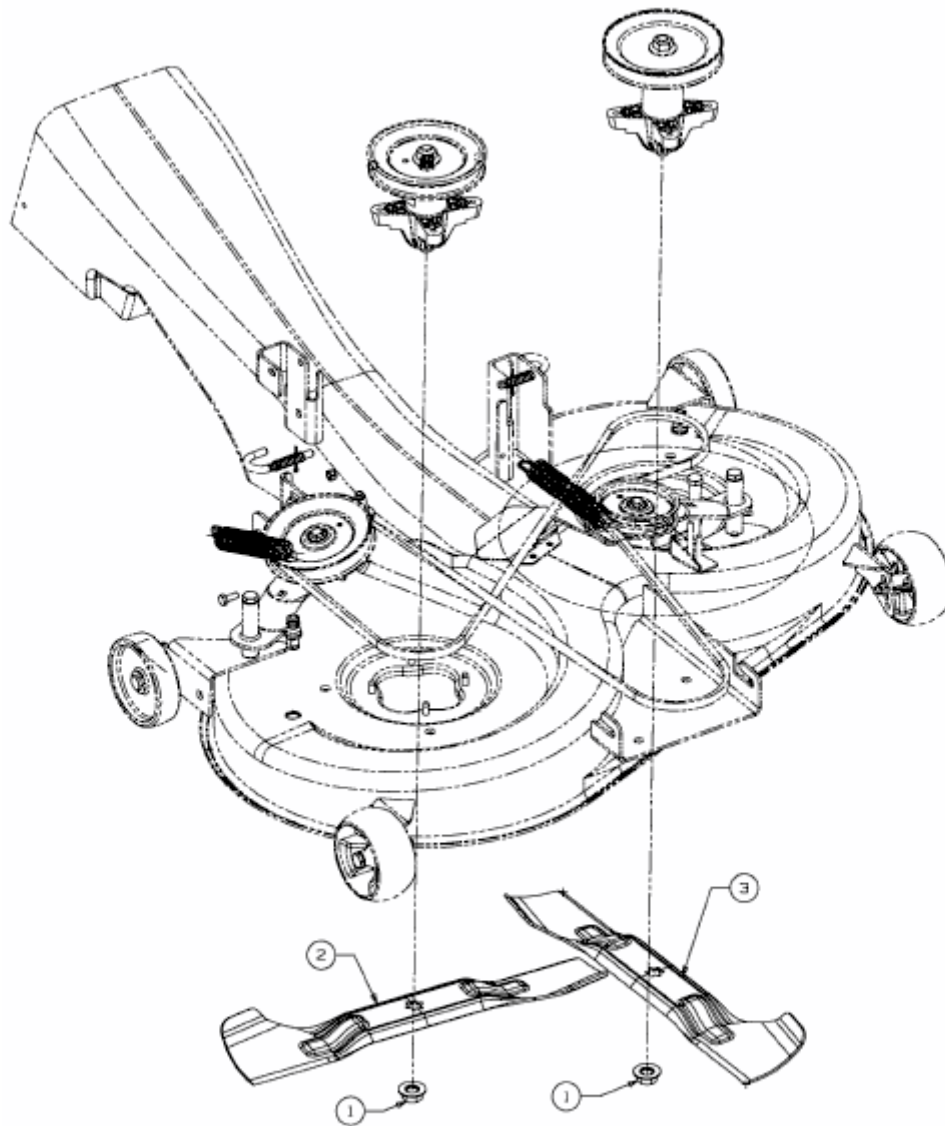


HN 5220 K > 13BF514N643 (2008) > HIGH LIFT MESSER



E3-03077A-01