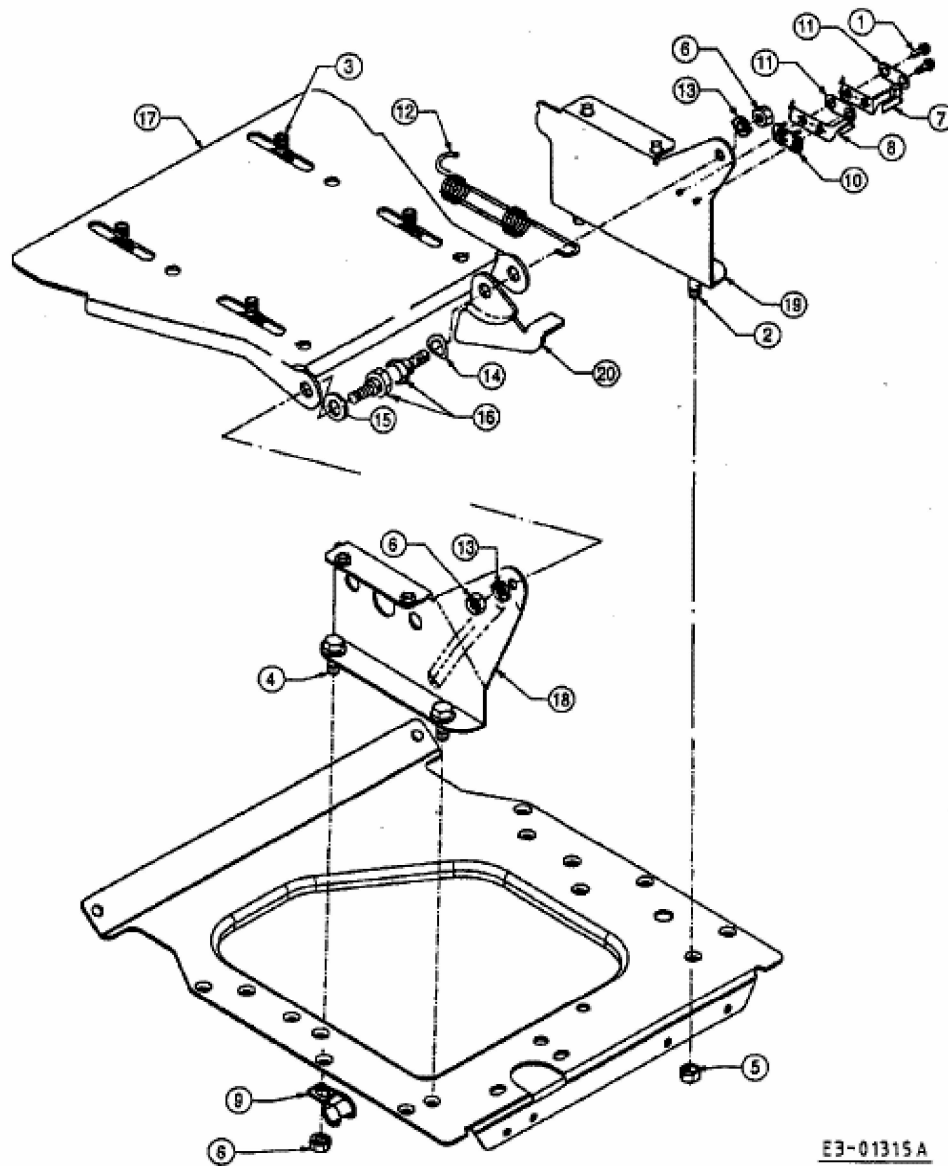


700-er ( Transmatic and Hydro )



E3-01315 A