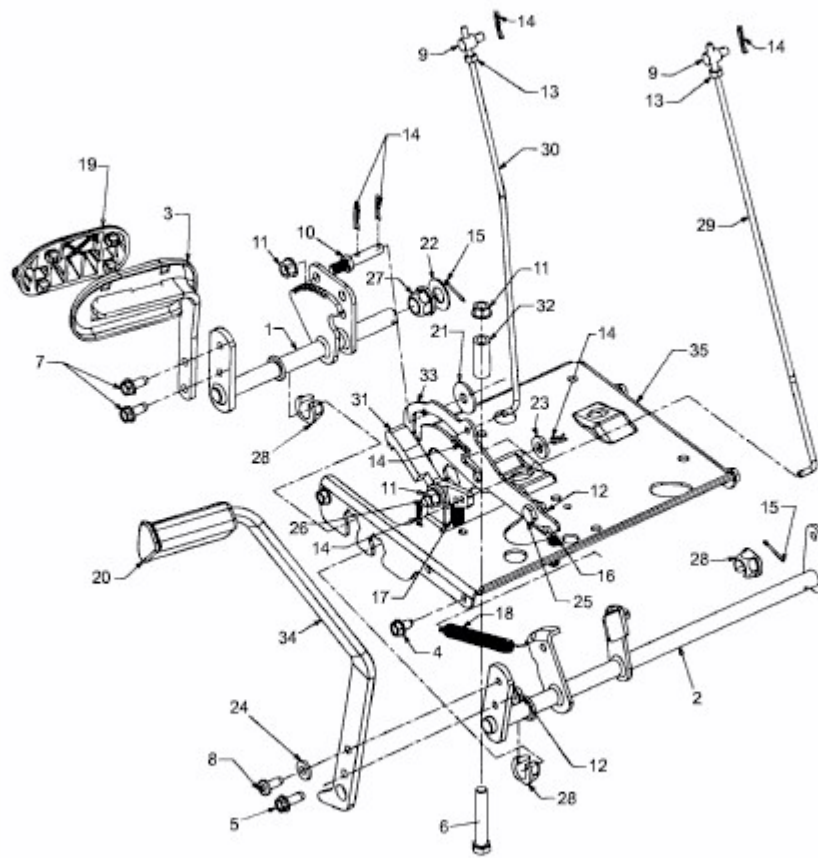


EP 16105 A > 13BD509N608 (2003) > PEDALE



E3-01654B-01