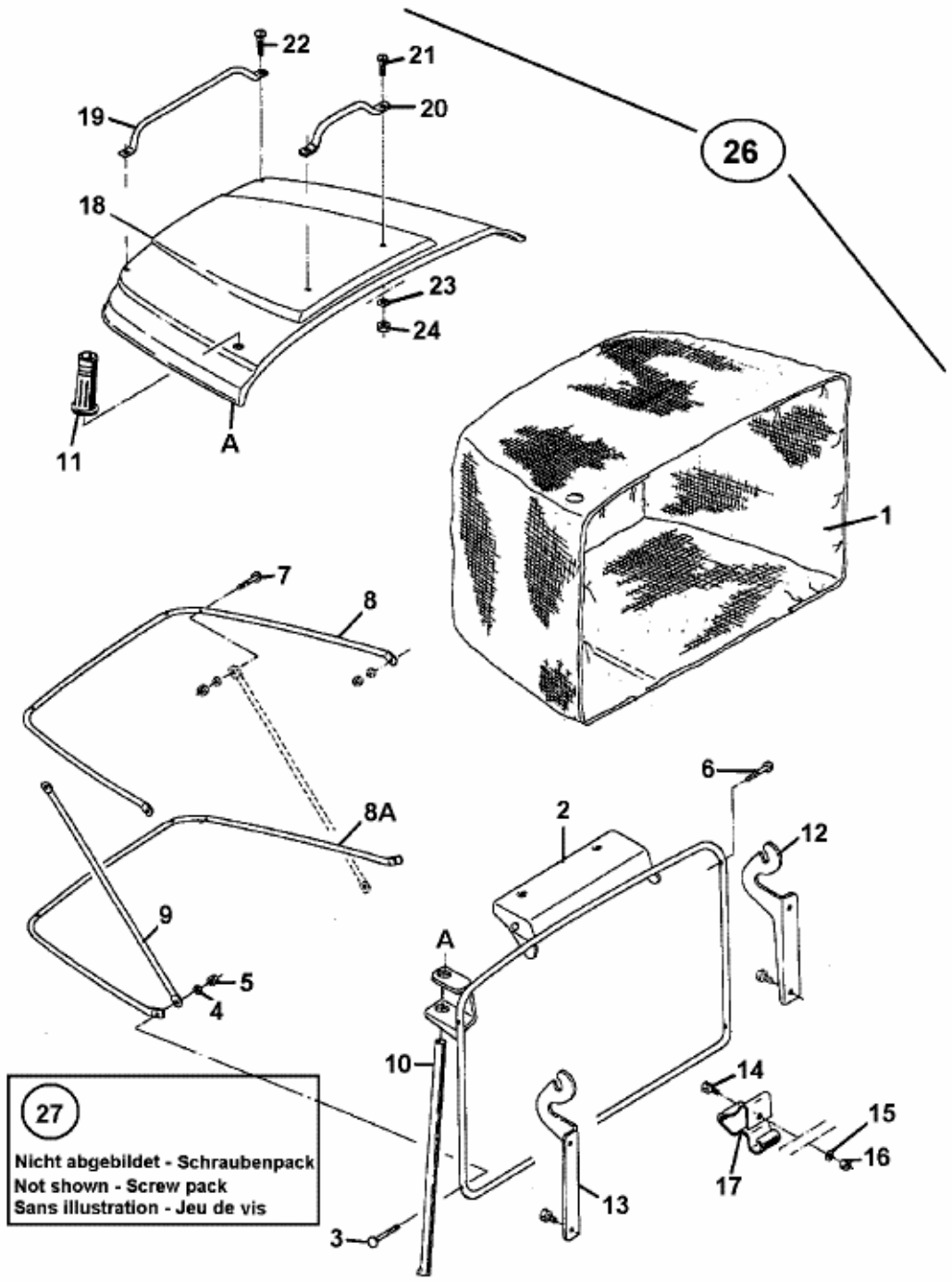


TA 4120 > 13BC474A643 (2003) > GRASFANGKORB



fig

E3-01389A-01