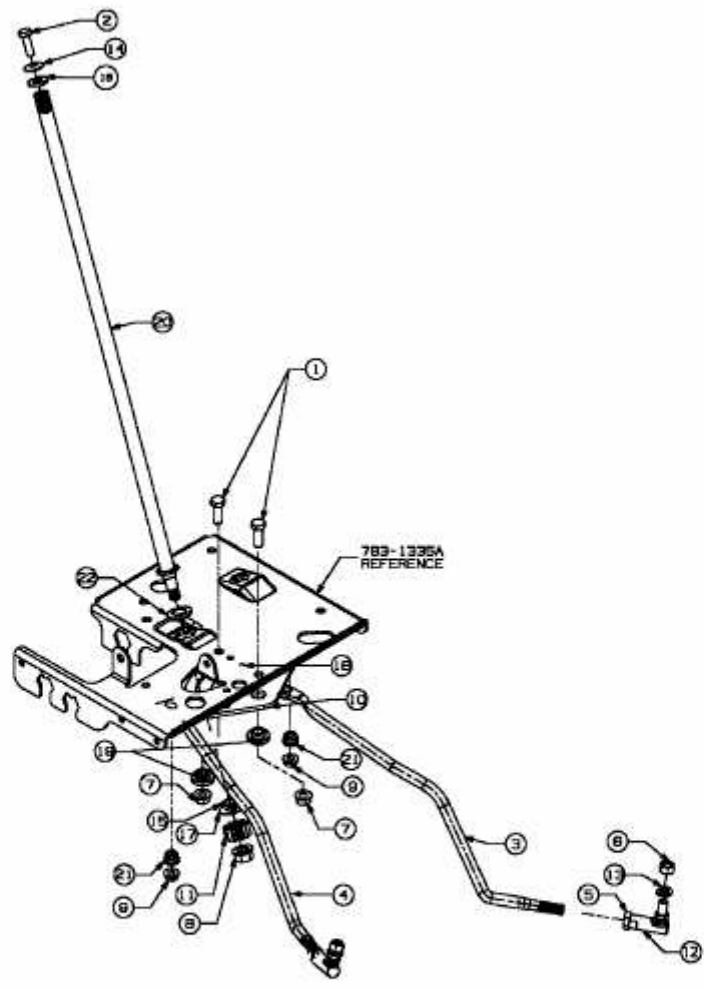


RH 155/105 H > 13BA519N600 (2004) > LENKUNG



E3-02000A-01