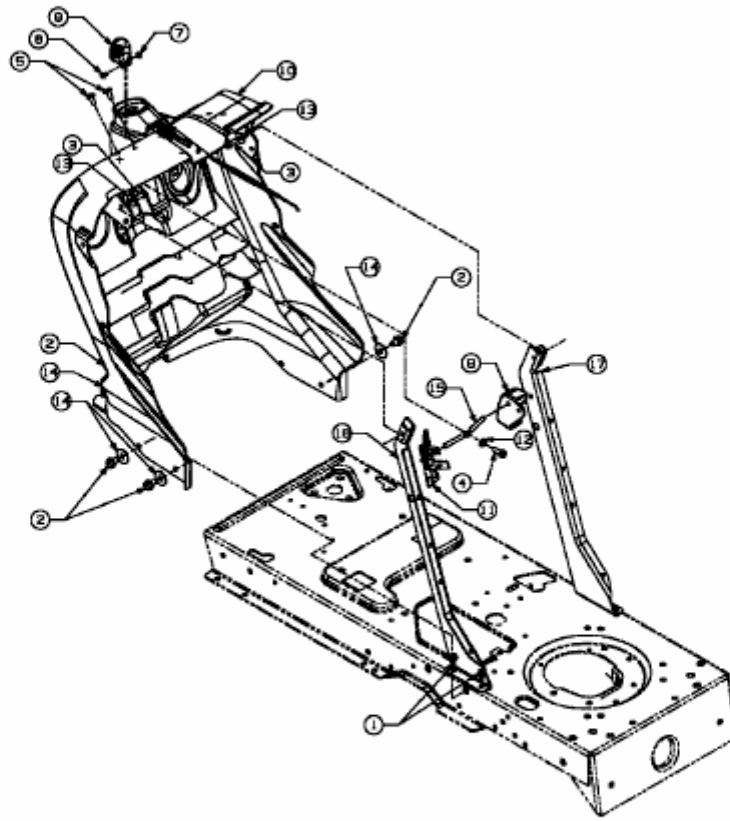


RH 155/105 H > 13BA519N600 (2004) > ARMATURENBRETT



E3-02021A-01