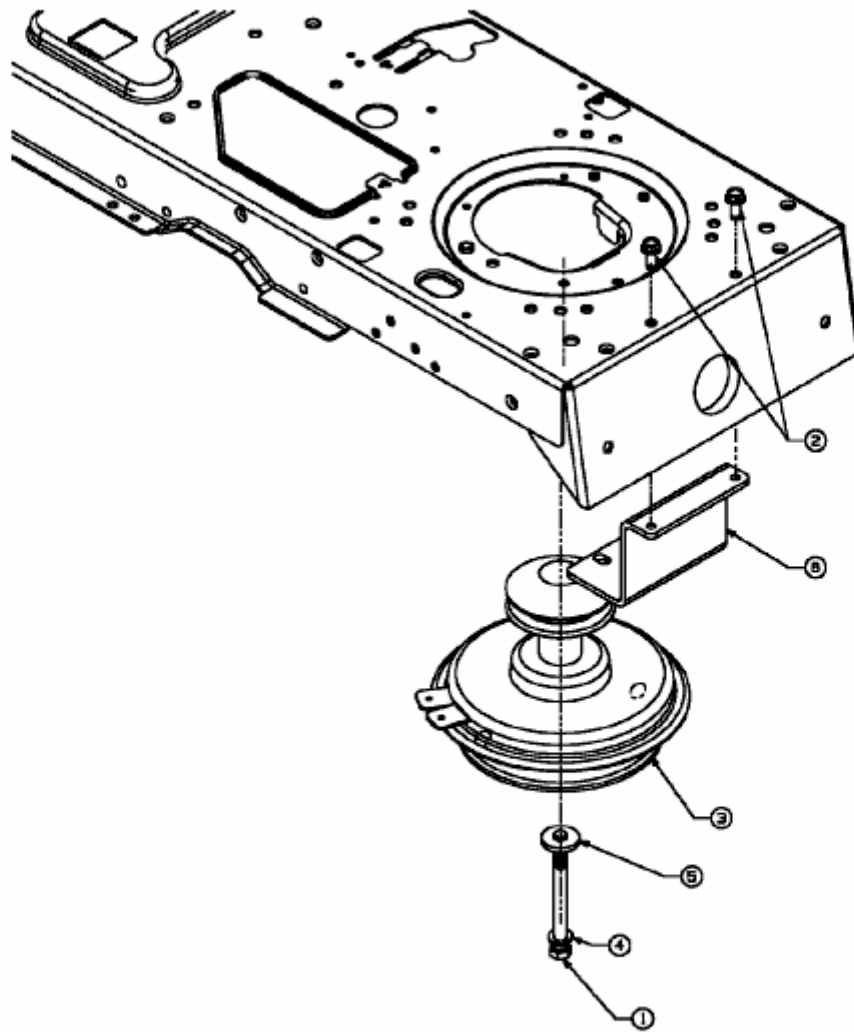


RH 155/105 H > 13BA519N600 (2004) > MOTORKEILRIEMENSCHLEIFE



E3-02064A-01