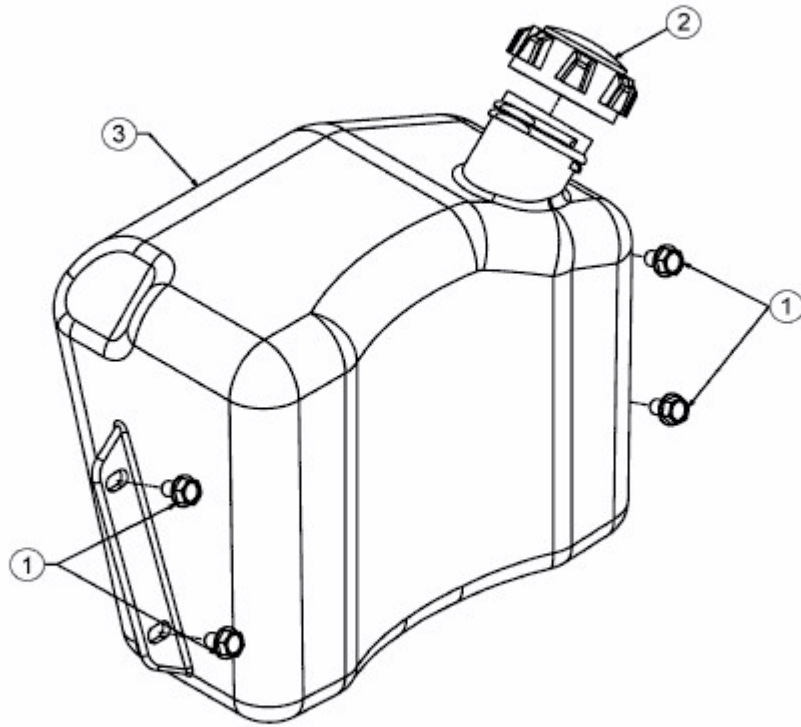


FORMULA 107 H > 13BA519G637 (2003) > TANK



E3-02020A-01