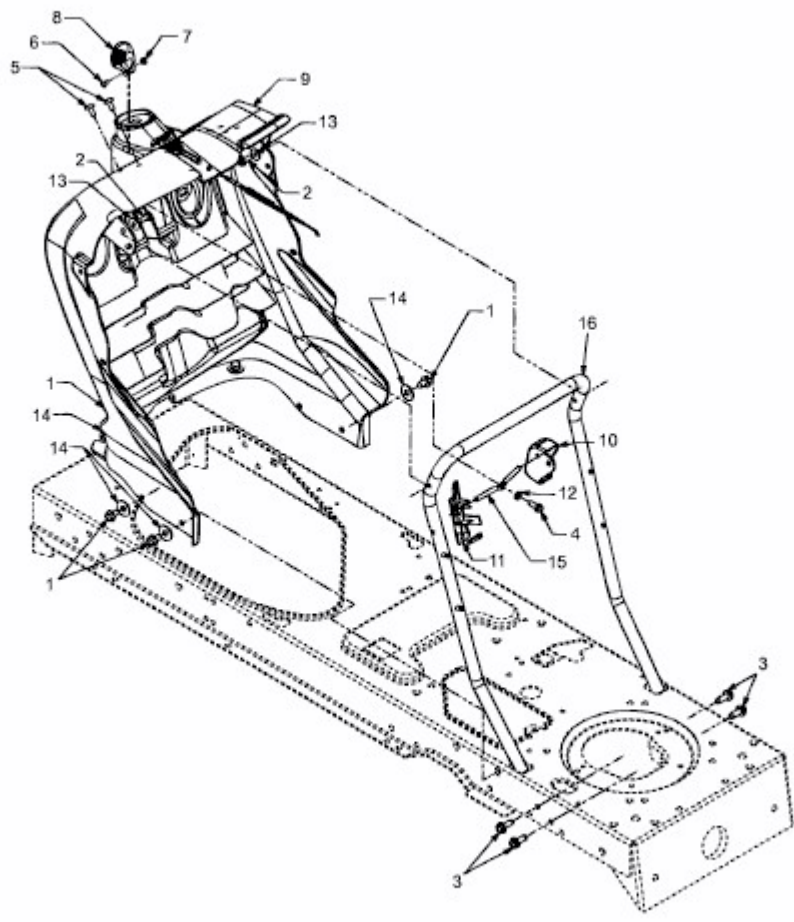


FORMULA 107 H > 13BA519G637 (2003) > ARMATURENBRETT



E3-01611A-02