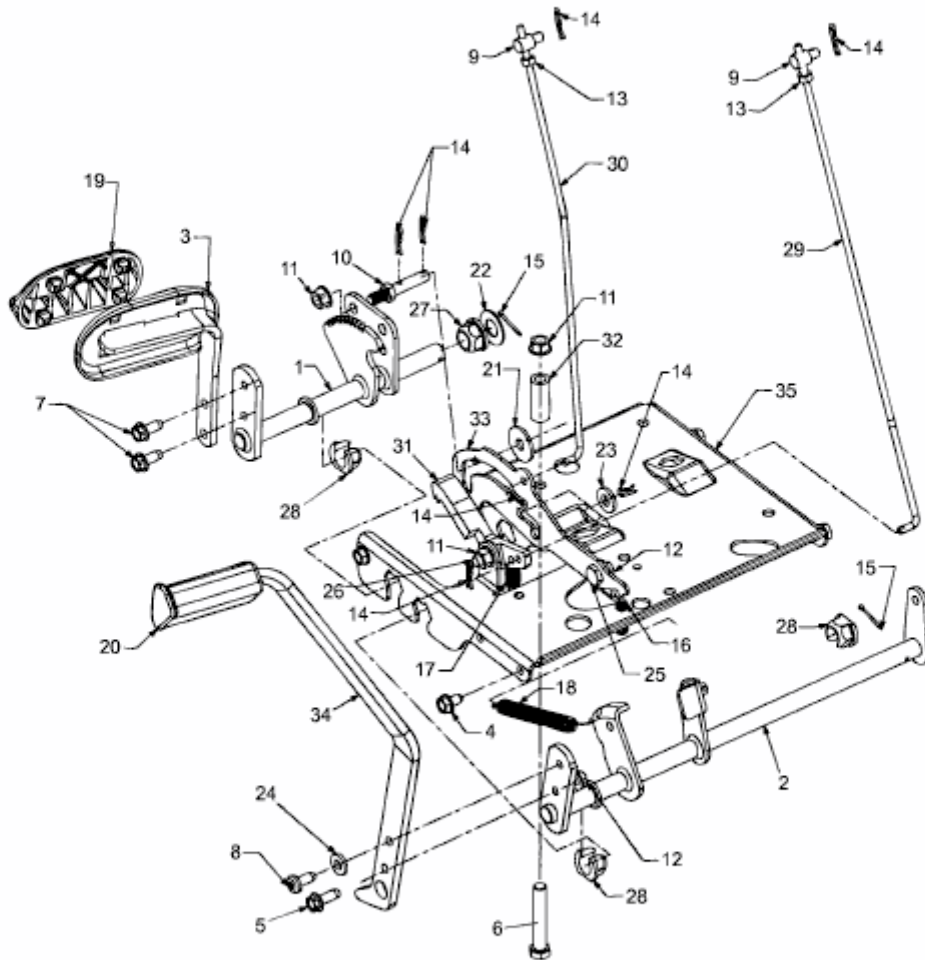


SN 150 A > 13BA508N678 (2003) > PEDALE



E3-01654B-01