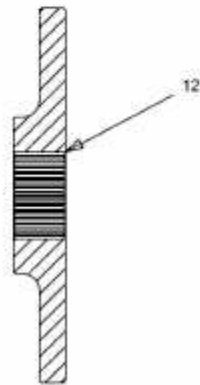
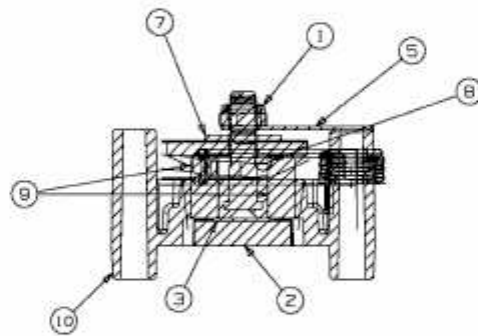
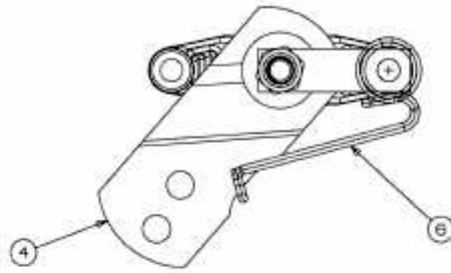


RH 135/105 B > 13BA508N600 (2003) > BREMSE



E3-02235A-02