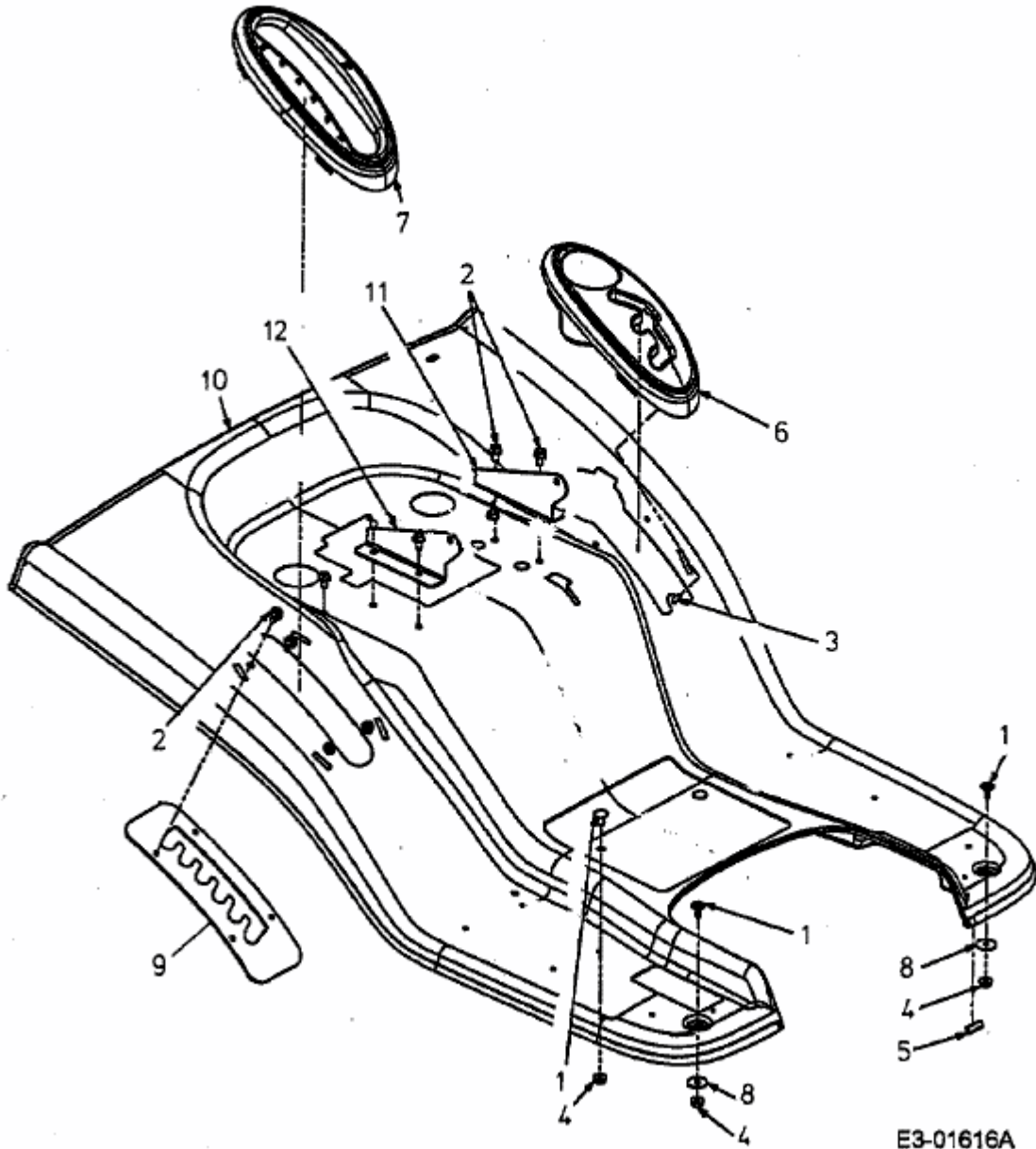


500er Serie  
Fender , Auto Drive ,Rear Discharge



E3-01616A