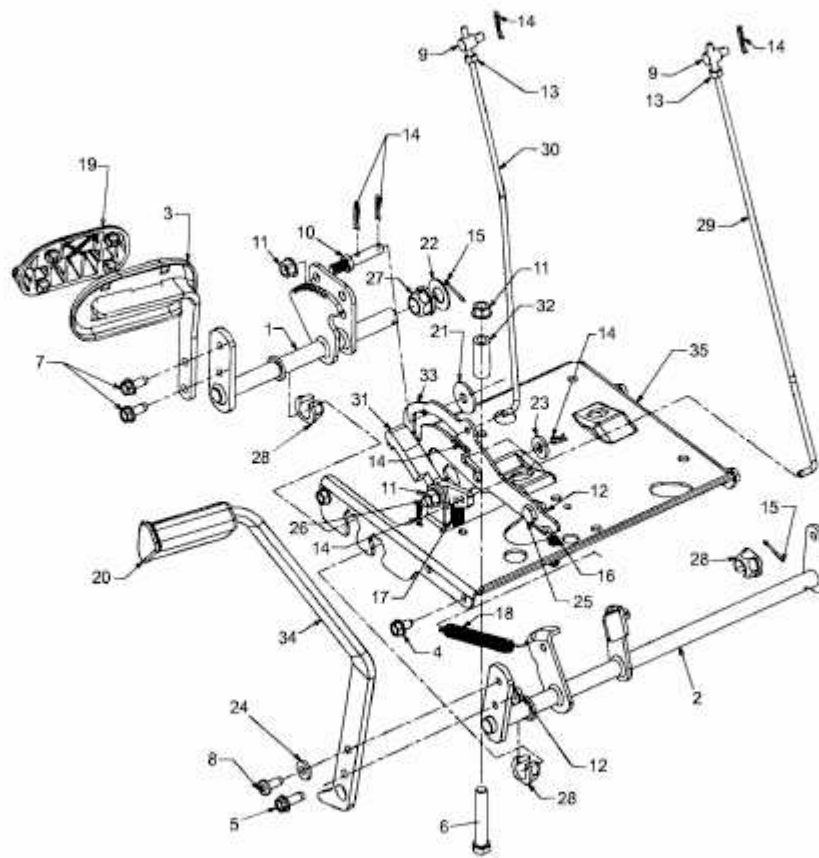


AG 5135 > 13BA504G643 (2003) > PEDALE



E3-01654B-01